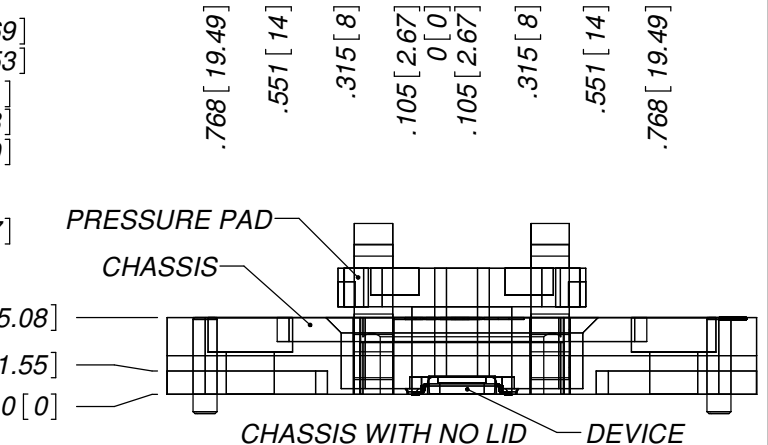
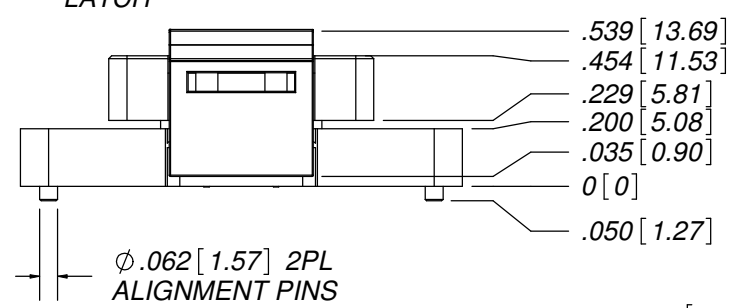
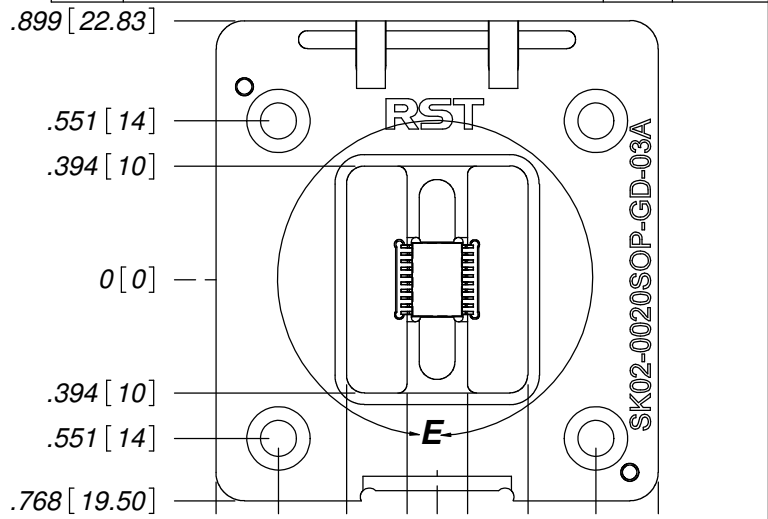
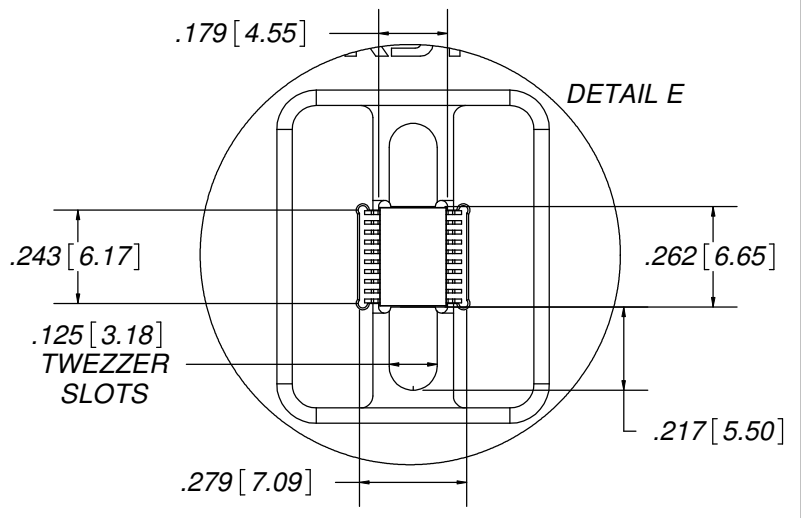
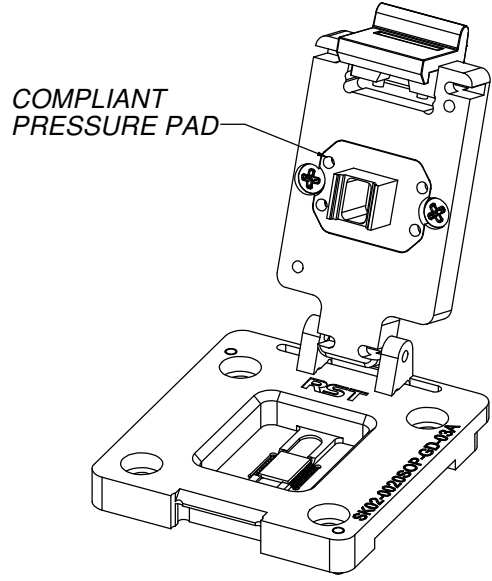


REVISIONS			
REV.	DESCRIPTION	DATE	APPROVED



COMPONENT CLEARANCE HEIGHT .061 [1.55]



**PLEASE REFER TO FOOTPRINT FOR MORE DIMENSIONS**

20191118A09.00

**PROPRIETARY INFORMATION**  
 THIS DOCUMENT CONTAINS PROPRIETARY DESIGNS, SPECIFICATIONS, DATA INFORMATION AND ARE THE SOLE PROPERTY OF RS TECH, INC. THIS INFORMATION IS TO BE HELD AND TREATED BY THE RECIPIENT ON A CONFIDENTIAL BASIS, AND IS NOT TO BE SHOWN OR DISCLOSED TO THIRD PARTIES WITHOUT THE WRITTEN CONSENT OF RS TECH, INC. THIS DATA DOES NOT CONVEY MANUFACTURING RIGHTS TO ANY OF THE ITEMS SHOWN.

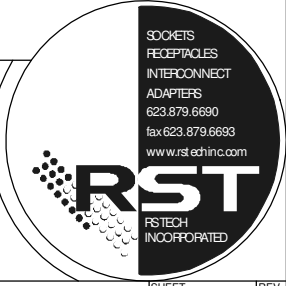
DIMENSIONS ARE IN INCHES [MM] UNLESS OTHERWISE SPECIFIED.		THIRD ANGLE PROJECTION
TOLERANCES: ANGLES: $\pm 1^\circ$ .XX: $\pm .01$ [254 MM] .XXX: $\pm .003$ [0.762 MM] .XXXX: $\pm .0010$ [0.254 MM]		
MATERIAL <b>ALL TORLON 4203</b>		
FINISH <b>MILLED</b>		
DO NOT SCALE DRAWING		

CAD GENERATED DRAWING, DO NOT MANUALLY UPDATE	
APPROVALS	DATE
DESIGN M MARQUEZ	10/21/19
PROGRAM	
DRAWN M MARQUEZ	10/21/19
ENG APPR.	
MFG APPR.	
Q.A.	

CUSTOM DIRECT CONTACT SOCKET FOR 20PW SOP DEVICE, 4.4 X 6.5 X 1.2 mm, 0.65mm PITCH,

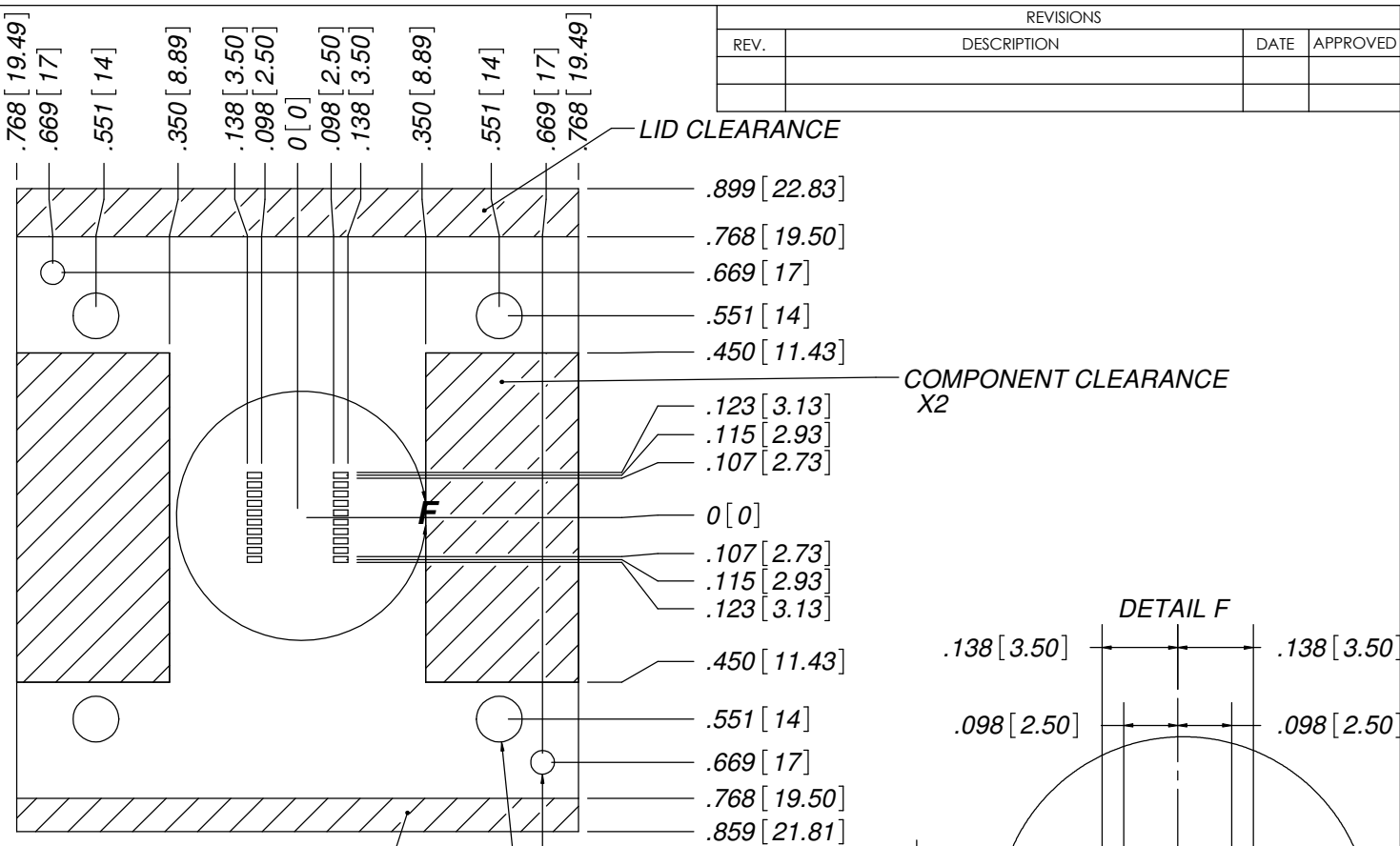
SIZE SCALE PART NO.  
**A 2:1** SK02-0020SOP-GD-03A

FILE PATH //GROUND-ZERO/LITTLEBOY/ALPHA-4/ISK/ISK02/SK02-0020SOP-GD-03A



SHEET	REV.
1 OF 2	X

REVISIONS			
REV.	DESCRIPTION	DATE	APPROVED



LATCH CLEARANCE

LID CLEARANCE

COMPONENT CLEARANCE X2

DETAIL F

GOLD PLATED LANDING PADS 20PL

Suggested surface pad dimensions:  
PCB designers should determine actual dimensions, considering accumulated tolerances of device, socket and DUT board.

No components, features, or obstructions are allowed under the footprint of the socket.

It is recommended that Solder Mask not be used under the socket footprint. If Solder Mask is used, it must be below the level of the surface pad. Allow a minimum of .002" open space at circumference between the edge of the Solder Mask and each surface pad.

Co-planarity of PCB surface pads must be within +/- 0.001" (.0254mm).

Recommended PCB pad plating:  
30 μ" hard gold plated  
50 μ" nickel.

Each pad must have a flat contact landing surface that is at least 80% of the total pad area. "Domed" or "mounded" pad surfaces will not suffice.

<p><b>PROPRIETARY INFORMATION</b></p> <p>THIS DOCUMENT CONTAINS PROPRIETARY DESIGNS, SPECIFICATIONS, DATA INFORMATION AND ARE THE SOLE PROPERTY OF RS TECH, INC. THIS INFORMATION IS TO BE HELD AND TREATED BY THE RECIPIENT ON A CONFIDENTIAL BASIS, AND IS NOT TO BE SHOWN OR DISCLOSED TO THIRD PARTIES WITHOUT THE WRITTEN CONSENT OF RS TECH, INC. THIS DATA DOES NOT CONVEY MANUFACTURING RIGHTS TO ANY OF THE ITEMS SHOWN.</p>	<p>DIMENSIONS ARE IN INCHES [MM] UNLESS OTHERWISE SPECIFIED.</p> <p>TOLERANCES: ANGLES: ±1° .XX: ±.01 [254 MM] .XXX: ±.003 [0762 MM] .XXX: ±.0010 [0254 MM]</p>	<p>THIRD ANGLE PROJECTION</p>	<p>CAD GENERATED DRAWING, DO NOT MANUALLY UPDATE</p>		<p>CUSTOM DIRECT CONTACT SOCKET FOR 20PW SOP DEVICE, 4.4 X 6.5 X 1.2 mm, 0.65mm PITCH,</p>																		
			<p>APPROVALS</p> <table border="1"> <tr> <th>DESIGN</th> <th>DATE</th> </tr> <tr> <td>M MARQUEZ</td> <td>10/21/19</td> </tr> <tr> <td>PROGRAM</td> <td> </td> </tr> <tr> <td>DRAWN</td> <td> </td> </tr> <tr> <td>M MARQUEZ</td> <td>10/21/19</td> </tr> <tr> <td>ENG APPR.</td> <td> </td> </tr> </table>				DESIGN	DATE	M MARQUEZ	10/21/19	PROGRAM		DRAWN		M MARQUEZ	10/21/19	ENG APPR.		SIZE	SCALE	PART NO.	SHEET	REV.
			DESIGN	DATE																			
			M MARQUEZ	10/21/19																			
PROGRAM																							
DRAWN																							
M MARQUEZ	10/21/19																						
ENG APPR.																							
A	4:1	SK02-0020SOP-GD-03A	2 OF 2	X																			
<p>FILE PATH //GROUND-ZERO/LITTLEBOY/ALPHA-4/ISK/ISK02/ISK02-0020SOP-GD-03A</p>																							

DO NOT SCALE DRAWING