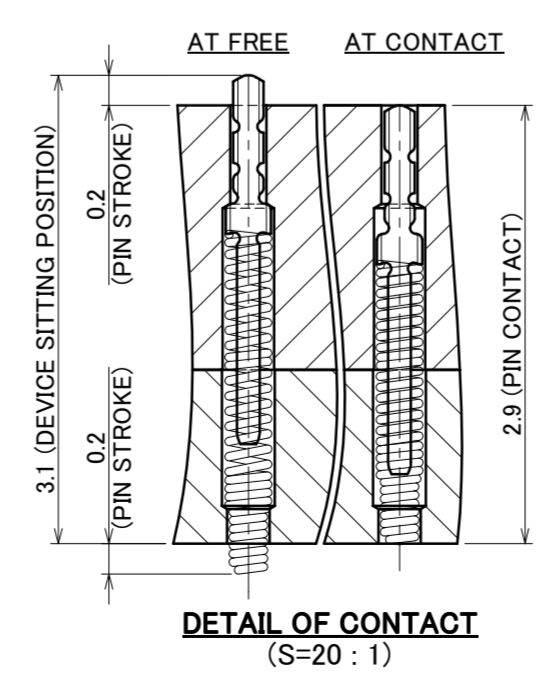


SPECIFICATION 仕様	
CONTACT RESISTANCE 接触抵抗	400mΩ or less at 10mA (SOCKET INITIAL)
DIELECTRIC WITHSTANDING VOLTAGE 耐電圧	300V.A.C. for 1 minute
INSULATION RESISTANCE 絶縁抵抗	1000MΩ or more at 500V.D.C.
OPERATING TEMPERATURE 使用温度	-65° C ~ 150° C
INSERTION 寿命	5000 cycle (MECHANICAL)

DETAIL OF GUIDE (S=5:1)



DETAIL OF CONTACT (S=20:1)

NOTES

- 1) PRELIMINARY DRIVE ALL SCREWS BY 5cN-m TORQUE, AND FINALLY DRIVE ALL SCREWS BY 14cN-m TORQUE.
- 2) PARTS OF NO.13~15 ARE FOR PCB INSTALLATION ACCESSORIES.
- 3) SOCKET DESIGNED FOR PACKAGE WITH TOLERANCE SHOWN ONLY.
- 4) TOTAL 57 PINS ARE INSERTED. 12 OUT OF 57 PINS ARE FOR GROUND.
- 5) PAD MATERIAL IS SnAgCu.
- 6) ES PLATING IS REGISTERED PATENT.(JPN.P.5,334,416/U.S.P.8,016,624)

ESP CONFIDENTIAL

A2-A-ESPM

L	
K	
J	
I	
H	
G	
F	
E	
D	
C	
B	
A	

符号 SYM.	顧客品番 CUSTOMER'S PART NO.	図番 DWG. NO.	品名 NAME	材質 MAT'L	個数 Q'TY	備考 REMARKS
機種 USED FOR		顧客品番 CUSTOMER'S PART NO.		一般公差 GENERAL TOLERANCE	±0.3, ±10°	
承認者 APPROVED BY	R.TOYAMA	品名 NAME		QFN-45AMG-0.4-001S-00		尺度 SCALE 4:1
検査者 CHECKED BY	Z.HASHIM	IC SOCKET				REVNO. a
設計者 DESIGNED BY	N.ATHIRAH	図番 DRAWING NO.		5B 037 597 01		1/2
訂正年月日 DATE	訂正箇所 REVISIONS	承認者 APP.	署名 SIGN	作成年月日 ISSUED ON	2019/08/21	