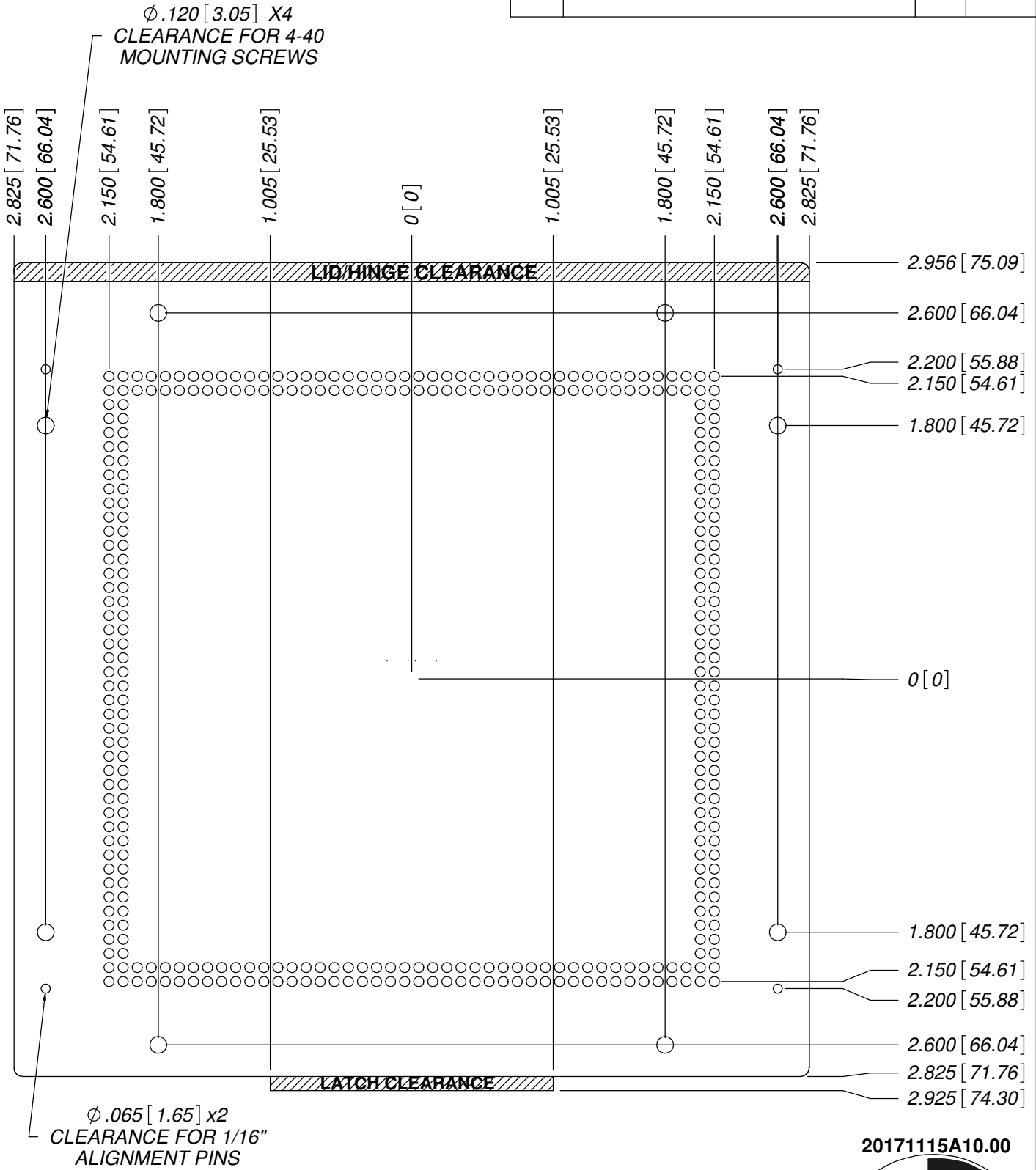
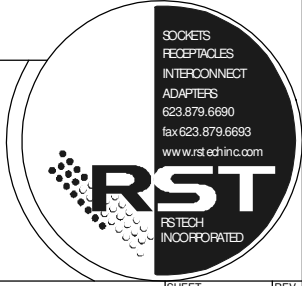


FOOTPRINT

REVISIONS			
REV.	DESCRIPTION	DATE	APPROVED



20171115A10.00



CUSTOM SOCKET FOR DAUGHTER CARD, CLAMSHELL LID WITH SPRING LOADED PRESSURE PAD

PROPRIETARY INFORMATION

THIS DOCUMENT CONTAINS PROPRIETARY DESIGNS, SPECIFICATIONS, DATA INFORMATION AND ARE THE SOLE PROPERTY OF RS TECH, INC. THIS INFORMATION IS TO BE HELD AND TREATED BY THE RECIPIENT ON A CONFIDENTIAL BASIS, AND IS NOT TO BE SHOWN OR DISCLOSED TO THIRD PARTIES WITHOUT THE WRITTEN CONSENT OF RS TECH, INC. THIS DATA DOES NOT CONVEY MANUFACTURING RIGHTS TO ANY OF THE ITEMS SHOWN.

DIMENSIONS ARE IN INCHES [MM] UNLESS OTHERWISE SPECIFIED.

TOLERANCES:
 ANGLES: $\pm 1^\circ$
 .XX: $\pm .01$ [254 MM]
 .XXX: $\pm .003$ [0762 MM]
 .XXX: $\pm .0010$ [0254 MM]

MATERIAL: XXXX

FINISH: MILLED

DO NOT SCALE DRAWING

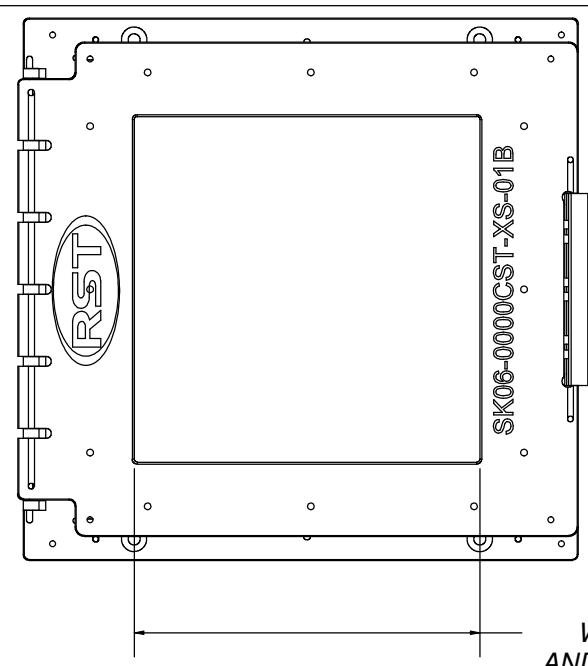
CAD GENERATED DRAWING, DO NOT MANUALLY UPDATE

APPROVALS		DATE
DESIGN	M MARQUEZ	11/15/17
PROGRAM		
DRAWN	M MARQUEZ	11/15/17
ENG APPR.		
MFG APPR.		
Q.A.		

SIZE	SCALE	PART NO.	SHEET	REV.
A	2:1	SK06-0000CST-XS-01B	1 OF 4	B

FILE PATH //GROUND-ZERO/LITTLEBOY/ALPHA+/ISK/ISK06/SK06-0000CST-XS-01B

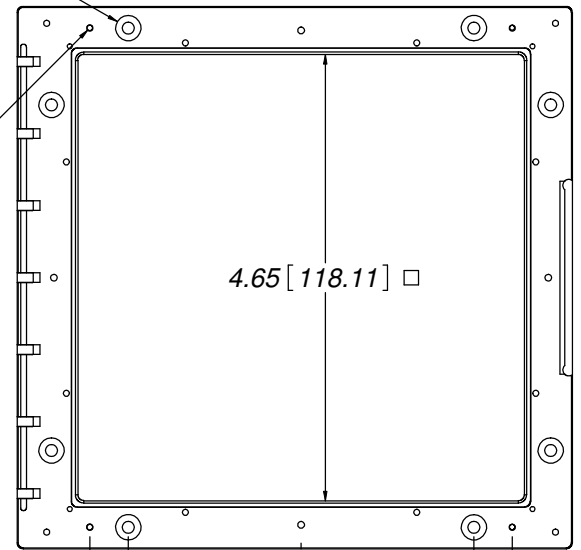
REVISIONS			
REV.	DESCRIPTION	DATE	APPROVED



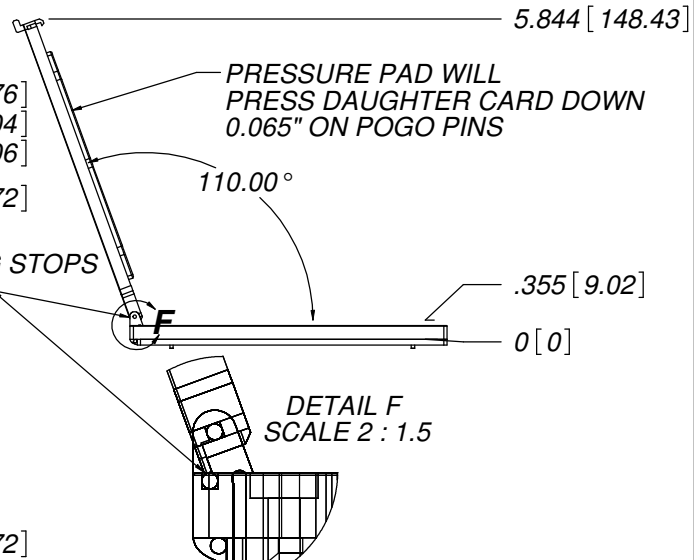
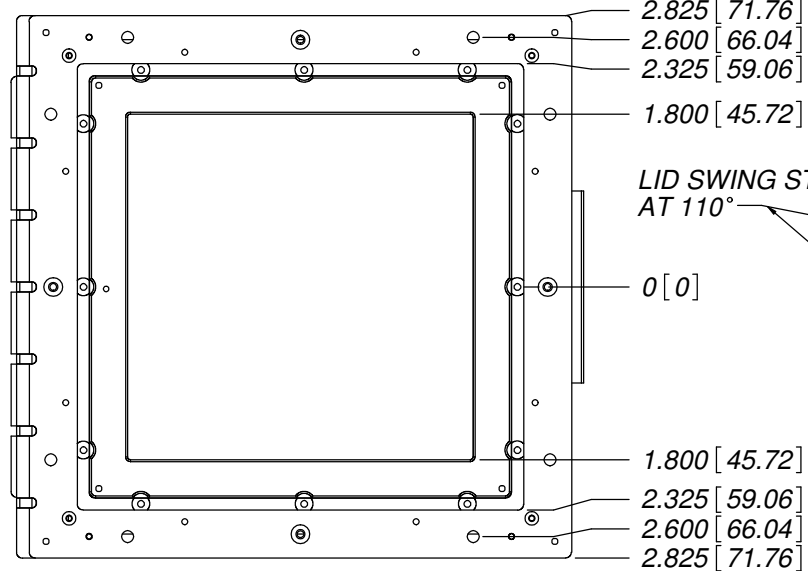
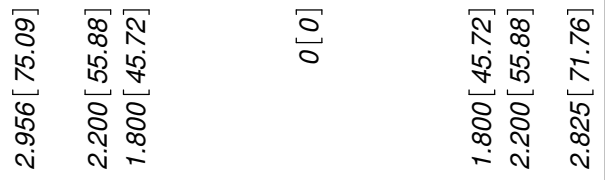
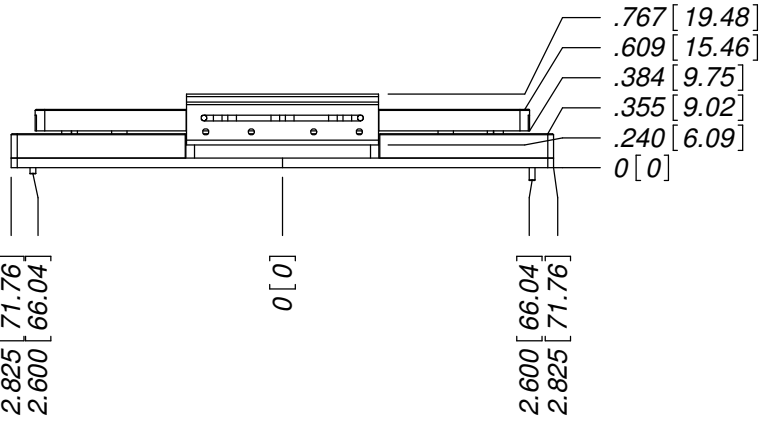
Ø .125" THRU HOLE
 Ø .265 [6.73] ▾ .100"

Ø .0625 [1.588]
 1/16" DOWLE PINS X4
 FOR ALIGNMENT

CHASSIS WITH NO LID



3.600 [91.44]
 WINDOW IN LID
 AND PRESSURE PAD



PLEASE REFER TO FOOTPRINT FOR MORE DIMENSIONS

PROPRIETARY INFORMATION

THIS DOCUMENT CONTAINS PROPRIETARY DESIGNS, SPECIFICATIONS, DATA INFORMATION AND ARE THE SOLE PROPERTY OF RS TECH, INC. THIS INFORMATION IS TO BE HELD AND TREATED BY THE RECIPIENT ON A CONFIDENTIAL BASIS, AND IS NOT TO BE SHOWN OR DISCLOSED TO THIRD PARTIES WITHOUT THE WRITTEN CONSENT OF RS TECH, INC. THIS DATA DOES NOT CONVEY MANUFACTURING RIGHTS TO ANY OF THE ITEMS SHOWN.

DIMENSIONS ARE IN INCHES [MM] UNLESS OTHERWISE SPECIFIED.

TOLERANCES:
 ANGLES: ±1°
 .XX: ±.01 [254 MM]
 .XXX: ±.003 [0.762 MM]
 .XXXX: ±.0010 [0.254 MM]

MATERIAL
 ALUMINUM / TORLON 4203

FINISH
 MILLED

DO NOT SCALE DRAWING

CAD GENERATED DRAWING, DO NOT MANUALLY UPDATE

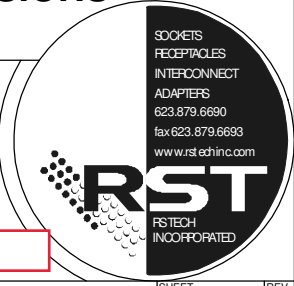
APPROVALS		DATE
DESIGN	M MARQUEZ	11/15/17
PROGRAM		
DRAWN	M MARQUEZ	11/15/17
ENG APPR.		
MFG APPR.		
Q.A.		

CUSTOM SOCKET FOR DAUGHTER CARD, CLAMSHELL LID WITH SPRING LOADED PRESSURE PAD

0.063" thick card

SIZE: **A** 1:1 SCALE: 1:1 PART NO. SK06-0000CST-XS-01B

FILE PATH: //GROUND-ZERO/LITTLEBOY/ALPHA-4/ISK/ISK06/SK06-0000CST-XS-01B

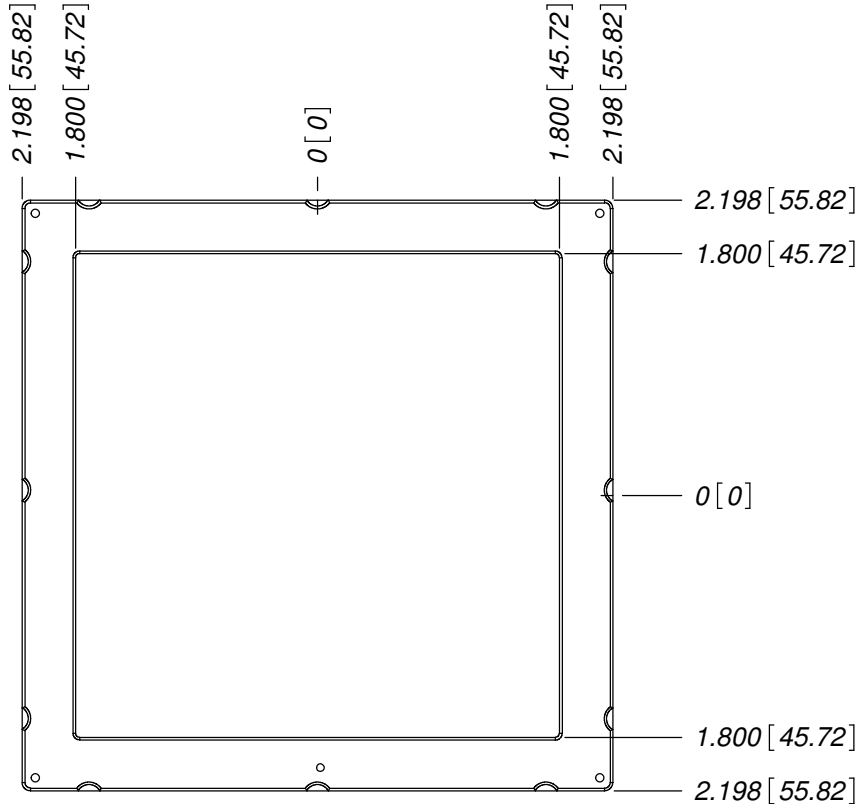


SHEET	REV.
2 OF 4	B

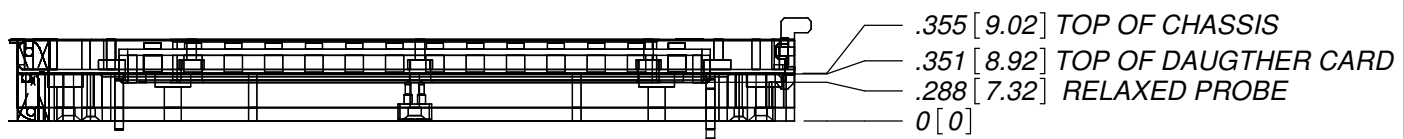
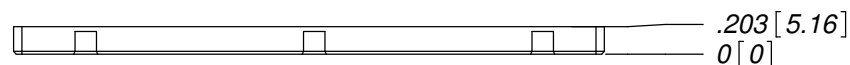
REVISIONS			
REV.	DESCRIPTION	DATE	APPROVED



LID WITH PRESSURE PAD ONLY



PRESSURE PAD MAKES CONTACT WITH PCB ON TOP SIDE



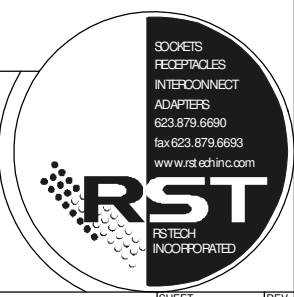
PROPRIETARY INFORMATION

THIS DOCUMENT CONTAINS PROPRIETARY DESIGNS, SPECIFICATIONS, DATA INFORMATION AND ARE THE SOLE PROPERTY OF RS TECH, INC. THIS INFORMATION IS TO BE HELD AND TREATED BY THE RECIPIENT ON A CONFIDENTIAL BASIS, AND IS NOT TO BE SHOWN OR DISCLOSED TO THIRD PARTIES WITHOUT THE WRITTEN CONSENT OF RS TECH, INC. THIS DATA DOES NOT CONVEY MANUFACTURING RIGHTS TO ANY OF THE ITEMS SHOWN.

DIMENSIONS ARE IN INCHES [MM] UNLESS OTHERWISE SPECIFIED.		THIRD ANGLE PROJECTION
TOLERANCES: ANGLES: ±1° .XX: ±.01 [254 MM] .XXX: ±.003 [0762 MM] .XXXX: ±.0010 [0254 MM]		
MATERIAL	XXXX	
FINISH	MILLED	
DO NOT SCALE DRAWING		

CAD GENERATED DRAWING, DO NOT MANUALLY UPDATE	
APPROVALS	DATE
DESIGN M MARQUEZ	11/15/17
PROGRAM	
DRAWN M MARQUEZ	11/15/17
ENG APPR.	
MFG APPR.	
Q.A.	

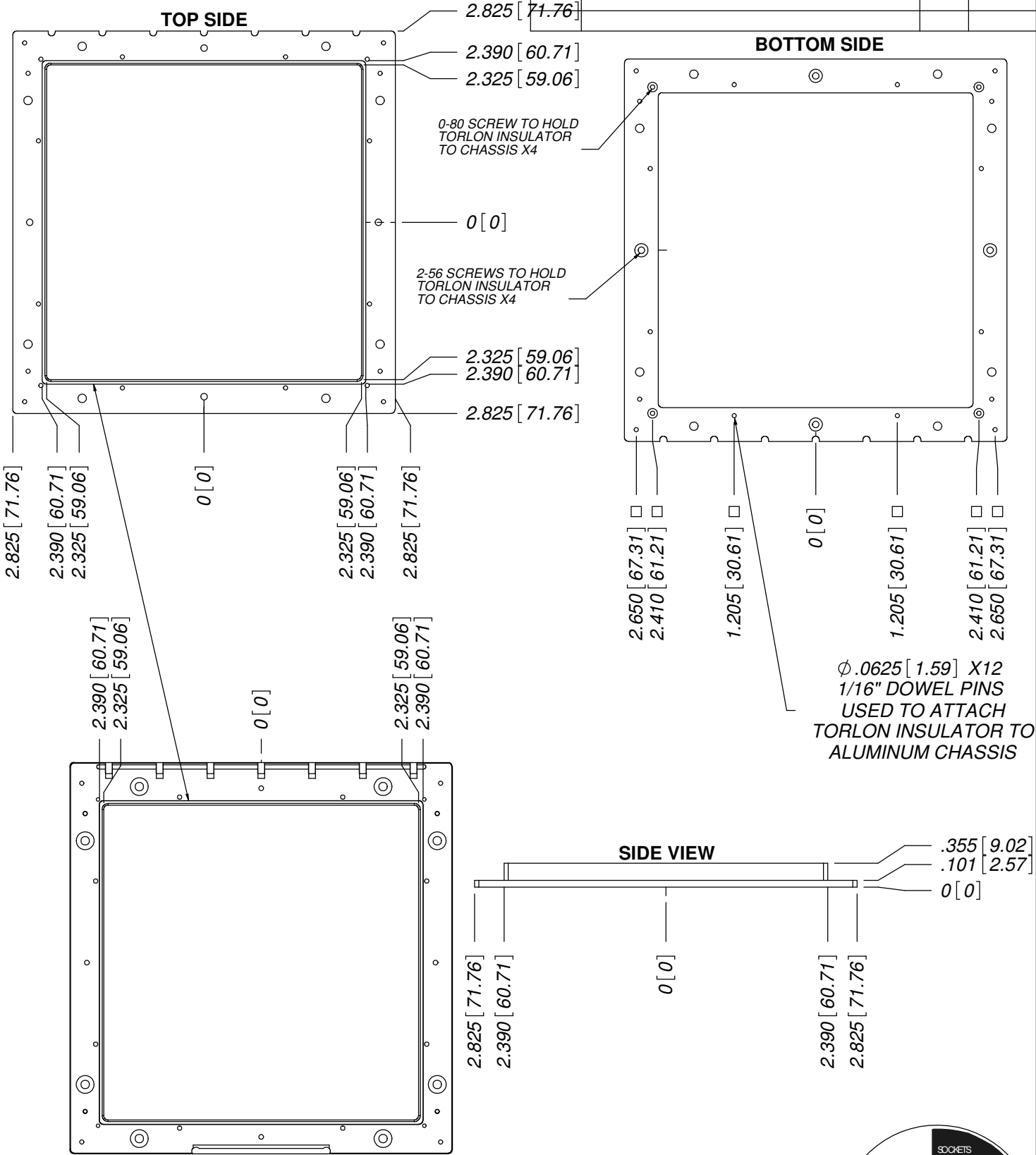
CUSTOM SOCKET FOR DAUGHTER CARD, CLAMSHELL LID WITH SPRING LOADED PRESSURE PAD



SIZE	SCALE	PART NO.	SHEET	REV.
A	1:1	SK06-0000CST-XS-01B	3 OF 4	B
FILE PATH //GROUND-ZERO/LITTLEBOY/ALPHA-4/ISK/ISK06/SK06-0000CST-XS-01B				

TORLON INSULATOR

REVISIONS			
REV.	DESCRIPTION	DATE	APPROVED



PROPRIETARY INFORMATION

THIS DOCUMENT CONTAINS PROPRIETARY DESIGNS, SPECIFICATIONS, DATA INFORMATION AND ARE THE SOLE PROPERTY OF RS TECH, INC. THIS INFORMATION IS TO BE HELD AND TREATED BY THE RECIPIENT ON A CONFIDENTIAL BASIS, AND IS NOT TO BE SHOWN OR DISCLOSED TO THIRD PARTIES WITHOUT THE WRITTEN CONSENT OF RS TECH, INC. THIS DATA DOES NOT CONVEY MANUFACTURING RIGHTS TO ANY OF THE ITEMS SHOWN.

DIMENSIONS ARE IN INCHES [MM] UNLESS OTHERWISE SPECIFIED.

TOLERANCES:
ANGLES: ±1°
.XX: ±.01 [254 MM]
.XXX: ±.003 [0.762 MM]
.XXXX: ±.0010 [0.254 MM]

MATERIAL XXXX

FINISH MILLED

DO NOT SCALE DRAWING

CAD GENERATED DRAWING, DO NOT MANUALLY UPDATE

APPROVALS		DATE
DESIGN	M MARQUEZ	11/15/17
PROGRAM		
DRAWN	M MARQUEZ	11/15/17
ENG APPR.		
MFG APPR.		
Q.A.		

CUSTOM SOCKET FOR DAUGHTER CARD, CLAMSHELL LID WITH SPRING LOADED PRESSURE PAD

SIZE: **A 1:2** SCALE: PART NO. **SK06-0000CST-XS-01B** SHEET: **4 OF 4** REV. **B**

FILE PATH: //GROUND-ZERO/LITTLEBOY/ALPHA-+/ISK/ISK06/SK06-0000CST-XS-01B

SOCKETS
RECEPTACLES
INTERCONNECT
ADAPTERS
623.879.6690
fax 623.879.6693
www.rstechinc.com

RST
RSTECH
INCORPORATED