

番号 No	図番 DWG. No	品名 DESCRIPTION	数量 QTY	材質 MATERIAL	処理 FINISH	備考 REMARKS
1	T5-004943-00	SOCKET	1			
2	T5-003646-02	MANUAL ACTUATOR	1			
	T9-101868-00	PROBE ASSIGN	-			
	T9-101869-00	PROBE DETAIL	-			
	TZ-007369-00	FOOTPRINT	-			

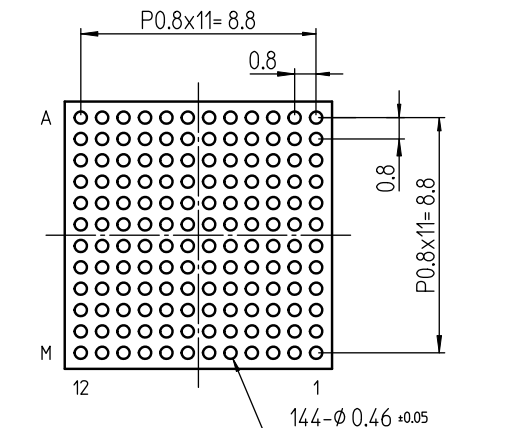
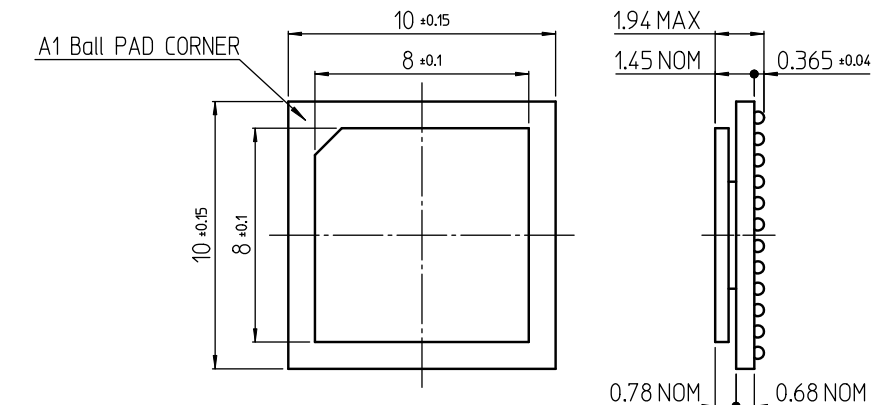
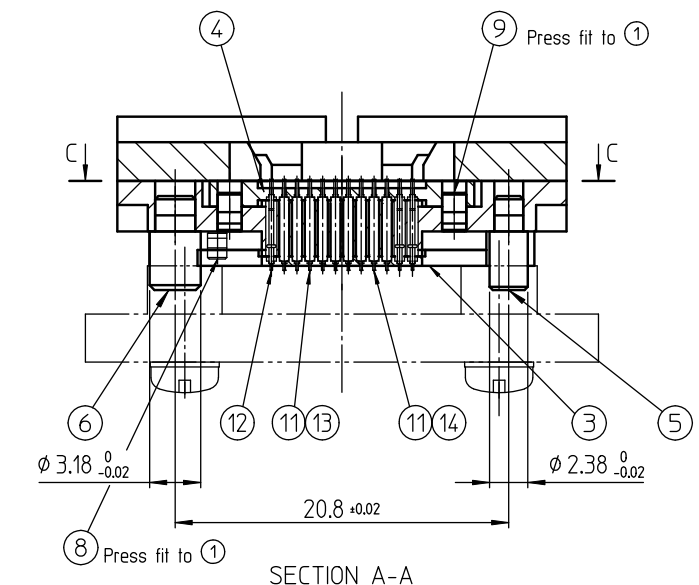
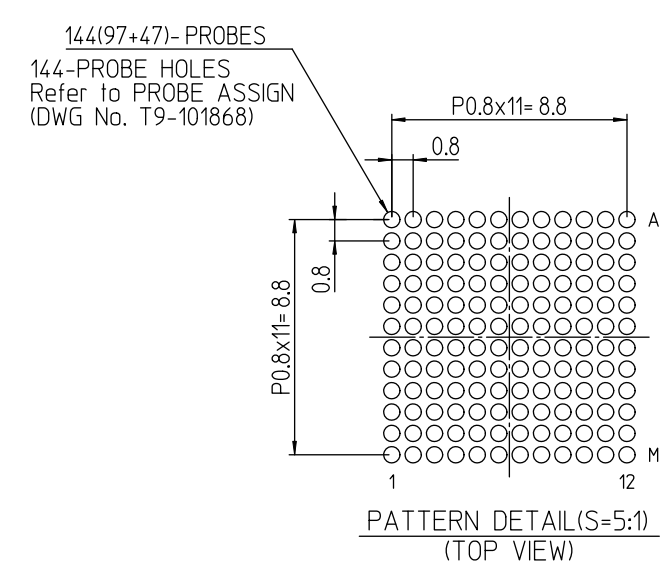
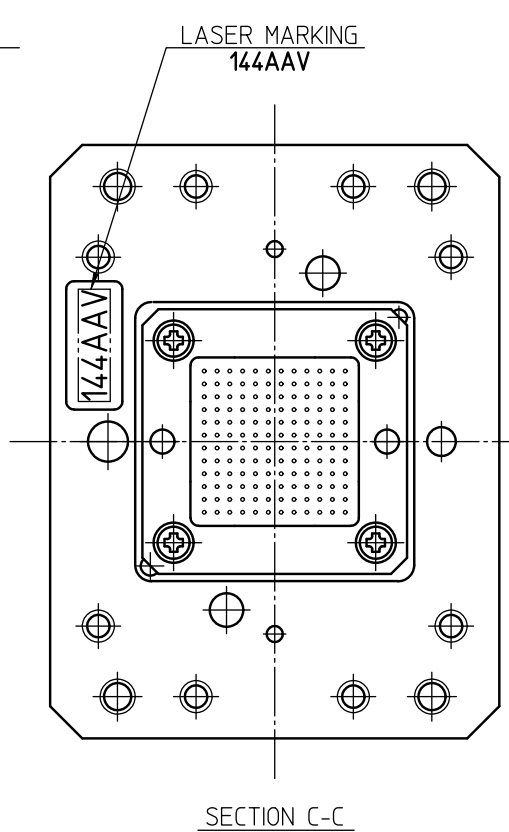
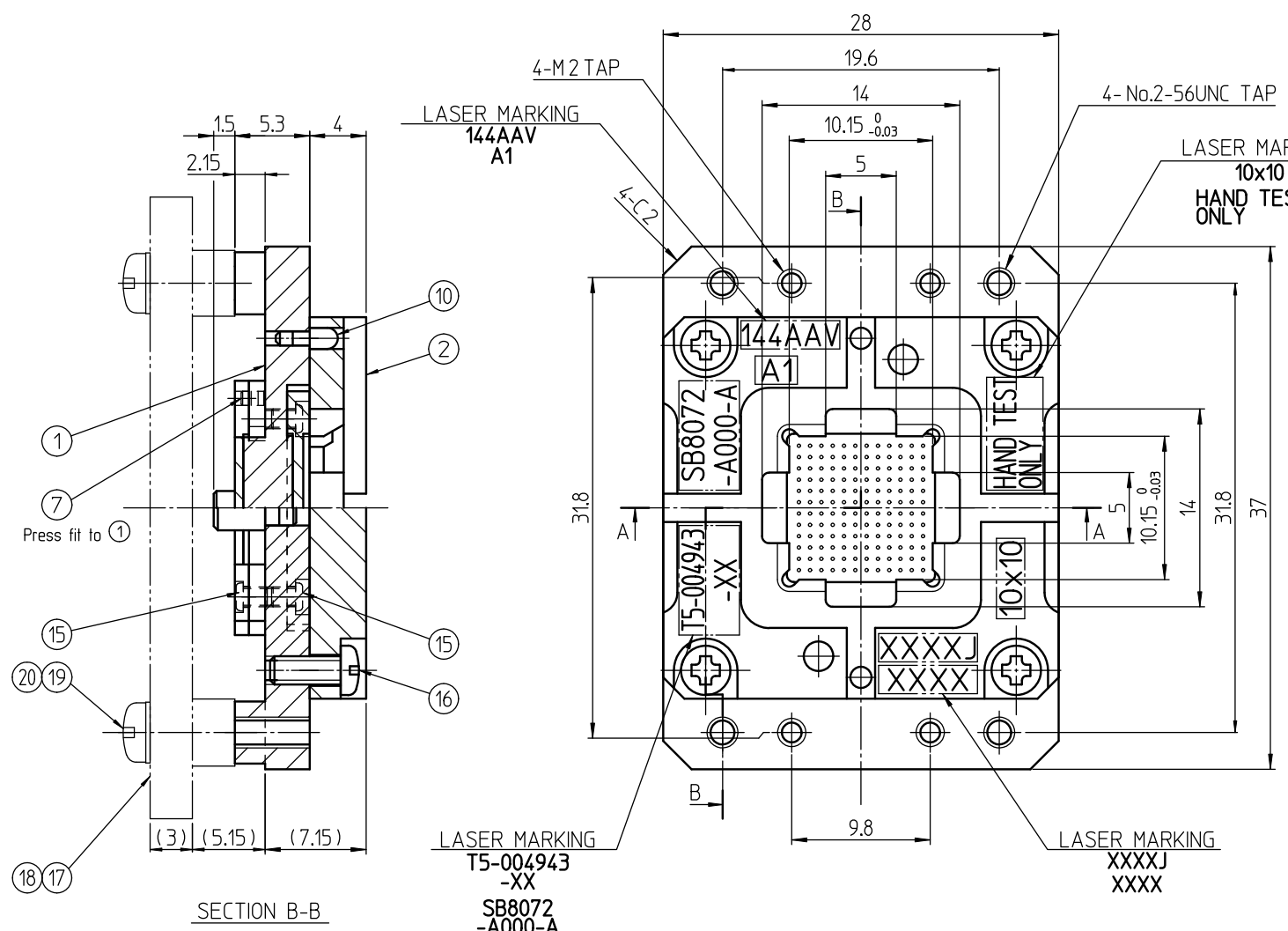
**CONFIDENTIAL**  
Unauthorized duplication, distribution or disclosure of the material contained in this document is prohibited.

△*	連検No D R	DESIGNED 2015-08-01	CHECKED 2015-08-01	指定公差 LIMITS	質量 MASS	材質 MATERIAL	表面処理 FINISH	品名 DESCRIPTION
		T. Inoue	Y. Takahashi					ASSEMBLY DRAWING
△*		DRAWING 2015-08-01	APPROVED 2015-08-01					
△* O	2015-08-01	New Release	T. Inoue	Y. Harada	尺度 SCALE	3 : 1	機種 形名 MODEL No	SB8072-A000-E
MARK	DATE	REVISION	RECORD	単位 UNIT	mm	3角法 3RD ANGLE PROJECTION	144AAV RMD Hi-Giga SOCKET	図番 New DwgNo/ Old DwgNo
								T5-004944-00

**CONFIDENTIAL**

Unauthorized duplication, distribution or disclosure of the material contained in this document is prohibited.

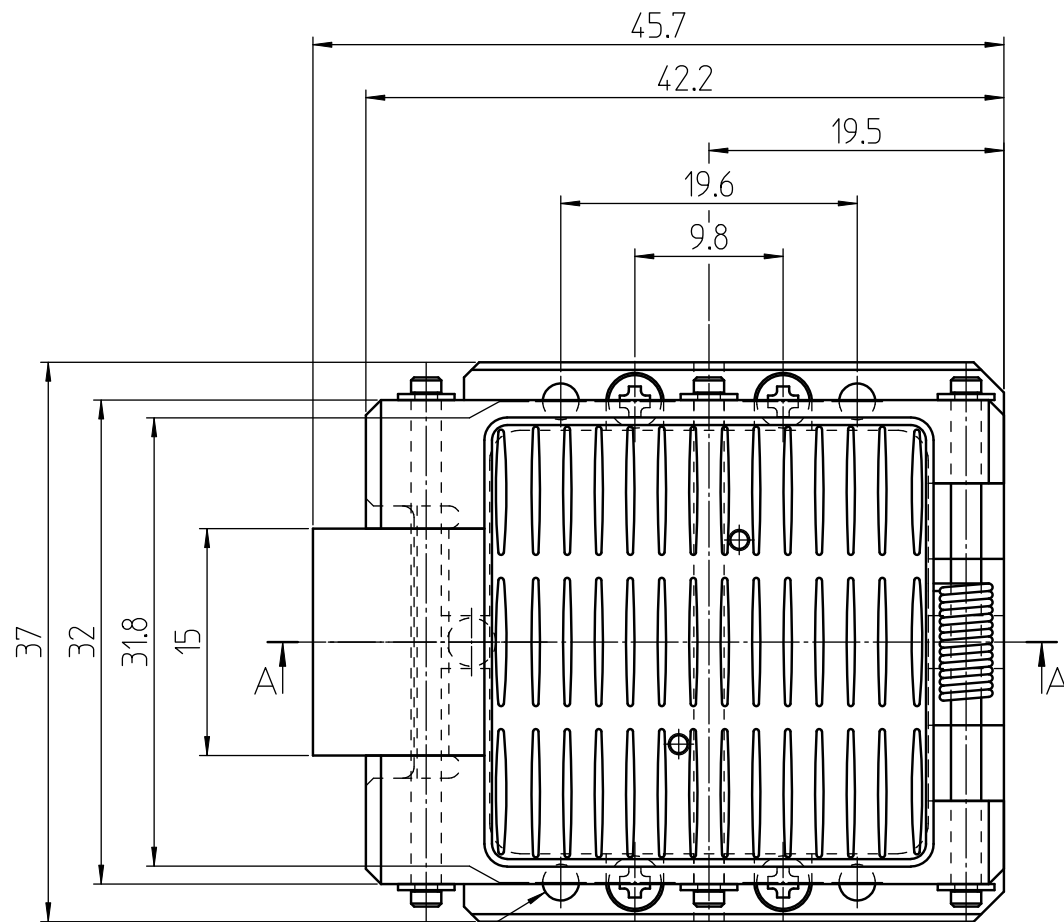
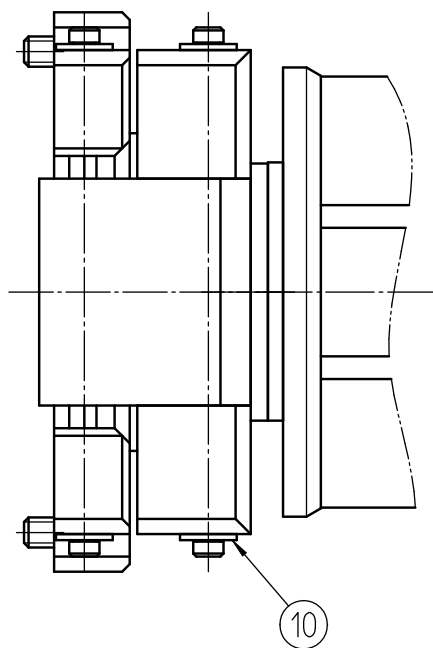
番号 No	図番 DWG. No	品名 DESCRIPTION	数量 QTY	材質 MATERIAL	処理 FINISH	備考 REMARKS
1	T3-024321	PIN BLOCK	1	C3604	Auf	
2	T3-031664	GUIDE	1	VESPEL SP-1		
3	T3-024323	PIN PLATE	1	VESPEL SP-1		
4	T3-024324	RETAINER	1	VESPEL SP-1		
5	T3-003456	PIN	1	SUS		
6	T3-003457	PIN	1	SUS		
7	T3-004481	PIN	1	SUS		
8	T3-004787	PIN	1	SUS		
9	T3-011616	PIN	2	SUS		
10	T3-029196	PIN	2	SUS		
11	YPW-6XT04-198G	PROBE	97			
12	YPW-8XT03-092G+R	PROBE	47			
13	T3-001427	P TUBE	49			
14	T3-001439	G TUBE	48			
15		(+) #0 PAN HD SCREW	8			M1.4x1.7
16		(+) PAN HD SCREW	4	SUS		M2x5
17	T3-024325	PROBE COVER	1	PET		
18	SB-304560	INSERT NUT	4			IWATA BOLT
19		(+) PAN HD SCREW	4	SUS		No.2-56x3/8
20		WASHER	4	SUS		M3(φ6)



△*		設計No	DESIGNED 2015-08-01	検査No	CHECKED 2015-08-01	指定外公差	質量 MASS	材質 MATERIAL	表面処理 FINISH	品名 DESCRIPTION
		D R	T. Inoue	D R	Y. Takahashi	LIMITS				SOCKET
△*		図番 No	DRAWING 2015-08-01	図番 No	APPROVED 2015-08-01					
△* O	2015-08-01	New Release		設計No	T. Inoue	Y. Harada	尺度 SCALE	3 : 1	機種 形名 MODEL No	図番 New DwgNo/ Old DwgNo
MARK	DATE	REVISION	RECORD	D R	T. Inoue		単位 UNIT	mm	SB8072-A000-A	T5-004943-00
							3角法 3RD ANGLE PROJECTION			144AAV RMD Hi-Giga SOCKET

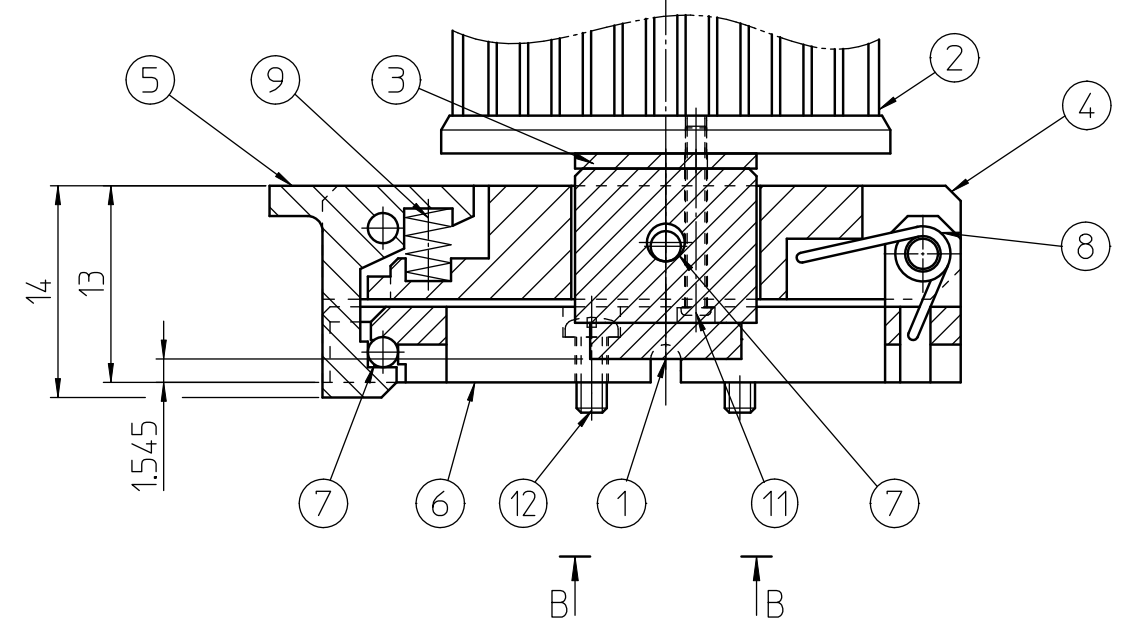
CONFIDENTIAL

Unauthorized duplication, distribution or disclosure of the material contained in this document is prohibited.



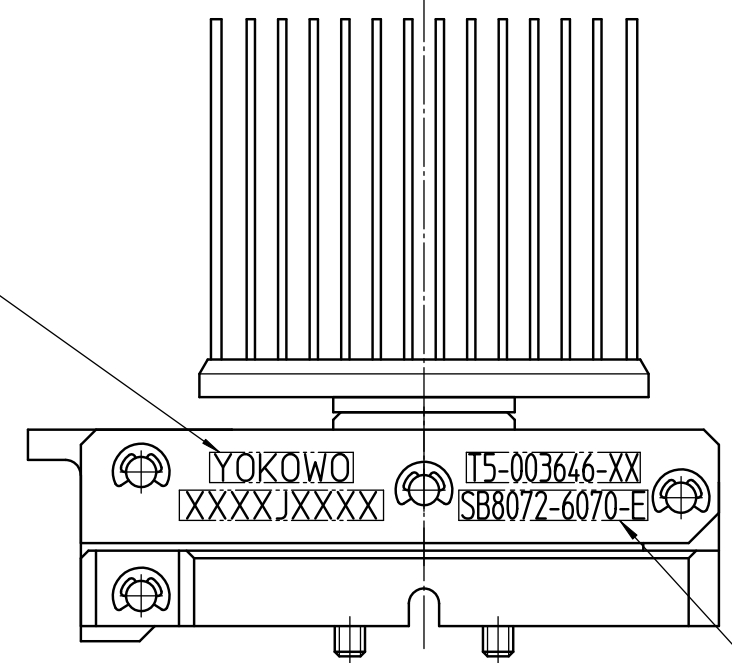
4-φ2.4

番号 No	図番 DWG. No	品名 DESCRIPTION	数量 Q'TY	材質 MATERIAL	処理 FINISH	備考 REMARKS
1	T3-031667	PRESSURE PAD	1	C3604	Ni	
△ 2	T3-031696 <del>T3-031668</del>	HEAT SINK	1	A6063	ANODIC OXIDE COATING	
△ 3	T3-031697 <del>T3-031669</del>	THERMAL CONDUCTOR	1			
△ 4	T3-031698 <del>T3-031670</del>	LID	1	A5052	ANODIC OXIDE COATING	
5	T3-011349	HOOK	1	A5052	ANODIC OXIDE COATING	
6	T3-022672	HOLDER	1	A5052	ANODIC OXIDE COATING	
7	T3-004504	SHAFT	4	SUS		
8	T3-029909	SPRING	1	SWP		
9	No.1016	SPRING	1	SUS		KSSC
10	E-1.5	E RING	8			
11		(+) #0 PAN HD SCREW	2	SUS		M1.4x12
12		(+) PAN HD SCREW	4	SUS		M2x5



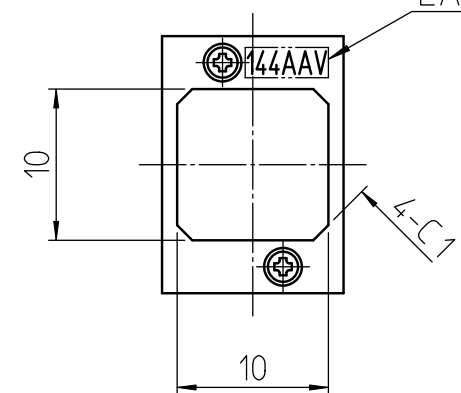
SECTION A-A

LASER MARKING  
YOKOWO  
XXXXJXXXX



LASER MARKING  
T5-003646-XX  
SB8072-6070-E

LASER MARKING  
144AAV



VIEW B-B

△ * 4	2015-03-03	Changed DWG No. of item 2, 3 and 4.	通知No D R	T1500-0309 Fauzi	DESIGNED 2015-02-02 Fauzi	CHECKED 2015/03/03 T. Ishizeki	指定外公差 LIMITS	質量 MASS	材質 MATERIAL	表面処理 FINISH	品名 DESCRIPTION
△ * 2	2015-02-06	Changed shape of item 2.	通知No D R	Fauzi	DRAWING 2015-03-03 Fauzi	APPROVED 2015/03/04 Y. Sakurai	-				MANUAL ACTUATOR
△ * 0	2015-02-02	New Release	通知No D R	Fauzi	yokowo co.,ltd.		単位 UNIT mm	尺度 SCALE 2:1	機種 形名 MODEL No SB8072-6070-E	図番 NeW Dwg.No/ Old Dwg.No 144AAV R&D Hi-Giga SOCKET	T5-003646-02
MARK	DATE	REVISION	RECORD				A3	3角法 3RD ANGLE PROJECTION			

CONFIDENTIAL

Unauthorized duplication, distribution or disclosure of the material contained in this document is prohibited.

番号 No	図番 DWG. No	品名 DESCRIPTION	数量 Q'TY	材質 MATERIAL	処理 FINISH	備考 REMARKS
----------	---------------	-------------------	------------	----------------	--------------	---------------

	1	2	3	4	5	6	7	8	9	10	11	12	
A	G	G	G	R	R	G	G	R	R	R	R	G	A
B	R	G	G	G	G	G	G	R	R	R	R	G	B
C	R	R	S	S	S	S	S	R	S	S	R	R	C
D	R	S	S	S	S	G	S	R	G	R	R	R	D
E	G	S	S	S	S	G	S	S	S	S	R	R	E
F	R	G	G	S	S	G	S	S	G	G	R	R	F
G	R	G	G	S	S	G	S	S	G	G	R	R	G
H	R	S	S	S	S	G	S	S	S	S	R	R	H
J	G	S	S	S	S	G	S	R	G	R	R	R	J
K	R	S	S	S	S	S	S	R	S	S	R	R	K
L	R	G	G	G	G	G	G	R	R	R	R	G	L
M	G	G	G	R	R	G	G	R	R	R	R	G	M
	1	2	3	4	5	6	7	8	9	10	11	12	

	Total												
G	6	6	6	2	2	10	4	0	4	4	0	4	48
S	0	5	6	8	8	2	8	4	4	4	0	0	49
R	6	1	0	2	2	0	0	8	4	4	12	8	47
Total	12	12	12	12	12	12	12	12	12	12	12	12	144

TOP VIEW


	12	11	10	9	8	7	6	5	4	3	2	1	
A	G	R	R	R	R	G	G	R	R	G	G	G	A
B	G	R	R	R	R	G	G	G	G	G	G	R	B
C	R	R	S	S	R	S	S	S	S	S	R	R	C
D	R	R	G	G	R	S	G	S	S	S	S	G	D
E	R	R	S	S	S	S	G	S	S	S	S	G	E
F	R	R	G	G	S	S	G	S	S	G	G	R	F
G	R	R	G	G	S	S	G	S	S	G	G	R	G
H	R	R	S	S	S	S	G	S	S	S	S	G	H
J	R	R	G	G	R	S	G	S	S	S	S	G	J
K	R	R	S	S	R	S	S	S	S	S	S	R	K
L	R	R	R	R	R	G	G	G	G	G	G	R	L
M	G	R	R	R	R	G	G	R	R	G	G	G	M
	12	11	10	9	8	7	6	5	4	3	2	1	

	Total												
G	4	0	4	4	0	4	10	2	2	6	6	6	48
S	0	0	4	4	4	8	2	8	8	6	5	0	49
R	8	12	4	4	8	0	0	2	2	0	1	6	47
Total	12	12	12	12	12	12	12	12	12	12	12	12	144

BOTTOM VIEW

PROBE

: YPW-6XT04-198G+G tube    : YPW-8XT03-092G+R

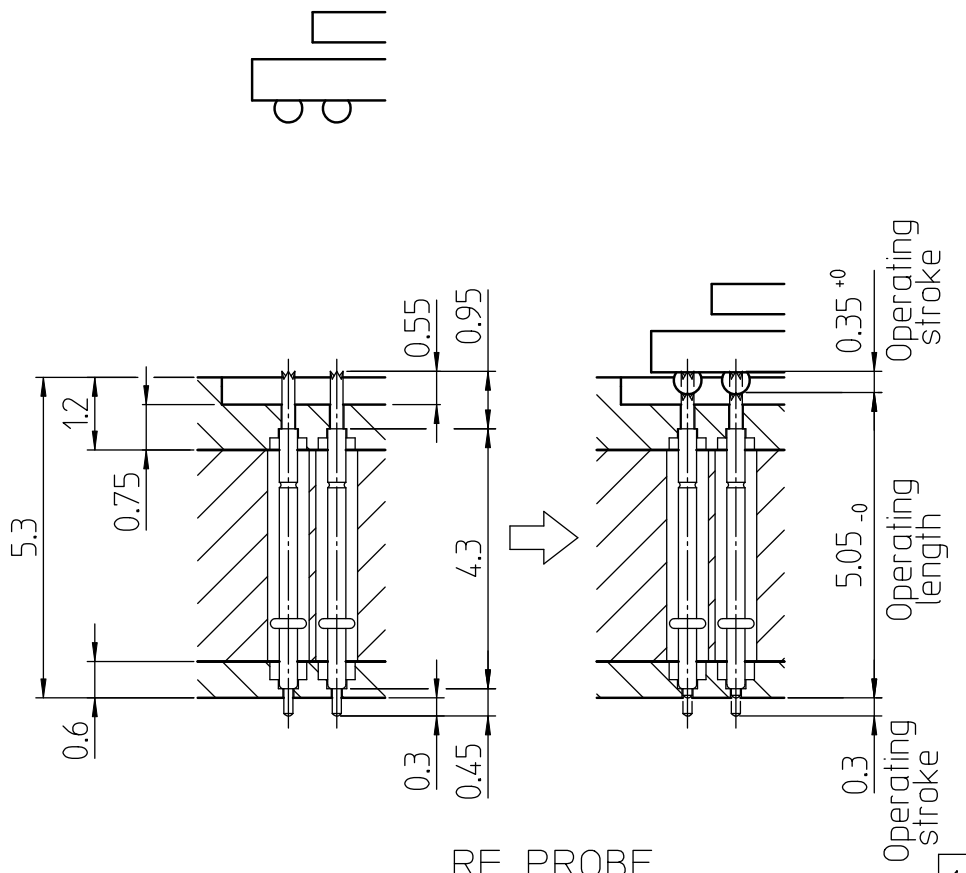
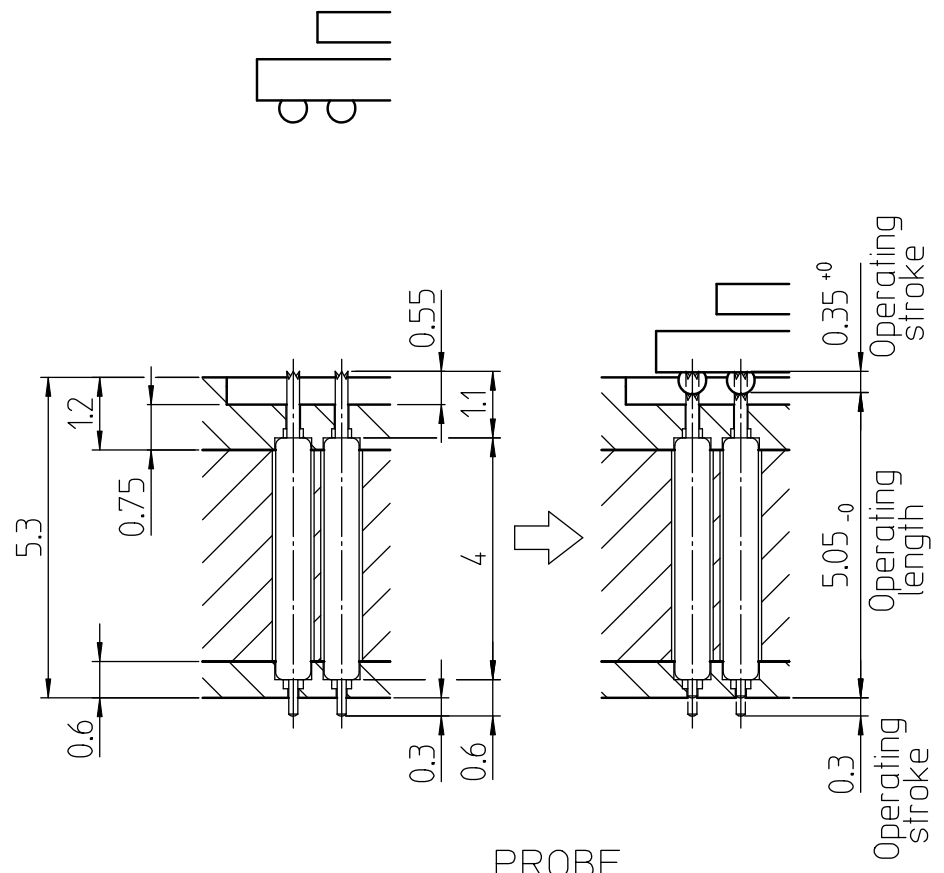
: YPW-6XT04-198G+P tube

△*			通知No	DESIGNED	2015-08-01	CHECKED	2015-08-01	指定外公差 LIMITS	質量 MASS	材質 MATERIAL	表面処理 FINISH	品名 DESCRIPTION
			D R	T. Inoue	Y. Takahashi	PROBE ASSIGN						
△*			通知No	DRAWING	2015-08-01	APPROVED	2015-08-01	-	-	-	-	
			D R	T. Inoue	Y. Harada							
△* O	2015-08-01	New Release	通知No	yokowo co.,ltd.				単位 UNIT	尺度 SCALE	N. T. S	機種 形名 MODEL No	図番 NeW Dwg.No/ Old Dwg.No
MARK	DATE	REVISION RECORD	D R	T. Inoue				mm	A3	3角法 3RD ANGLE PROJECTION	SB8072-A000-A	T9-101868-00
											144AAV R&D Hi-Giga SOCKET	

**CONFIDENTIAL**

Unauthorized duplication, distribution or disclosure of the material contained in this document is prohibited.

番号 No	図番 DWG.No	品名 DESCRIPTION	数量 Q'TY	材質 MATERIAL	処理 FINISH	備考 REMARKS
----------	--------------	-------------------	------------	----------------	--------------	---------------



△*			通知No	DESIGNED 2015-08-01	CHECKED 2015-08-01	指定公差 LIMITS	質量 MASS	材質 MATERIAL	表面処理 FINISH	品名 DESCRIPTION
			D R	T. Inoue	Y. Takahashi					
△*			通知No	DRAWING 2015-08-01	APPROVED 2015-08-01	-	-	-	-	-
			D R	T. Inoue	Y. Harada					
△*O	2015-08-01	New Release	通知No	T. Inoue	Y. Harada	単位 UNIT mm	尺度 SCALE	8 : 1	機種形名 MODEL No SB8072-A000-A	図番 NeW Dwg.No/ Old Dwg.No T9-101869-00
MARK	DATE	REVISION RECORD	D R	T. Inoue			A4	3角法 3RD ANGLE PROJECTION		

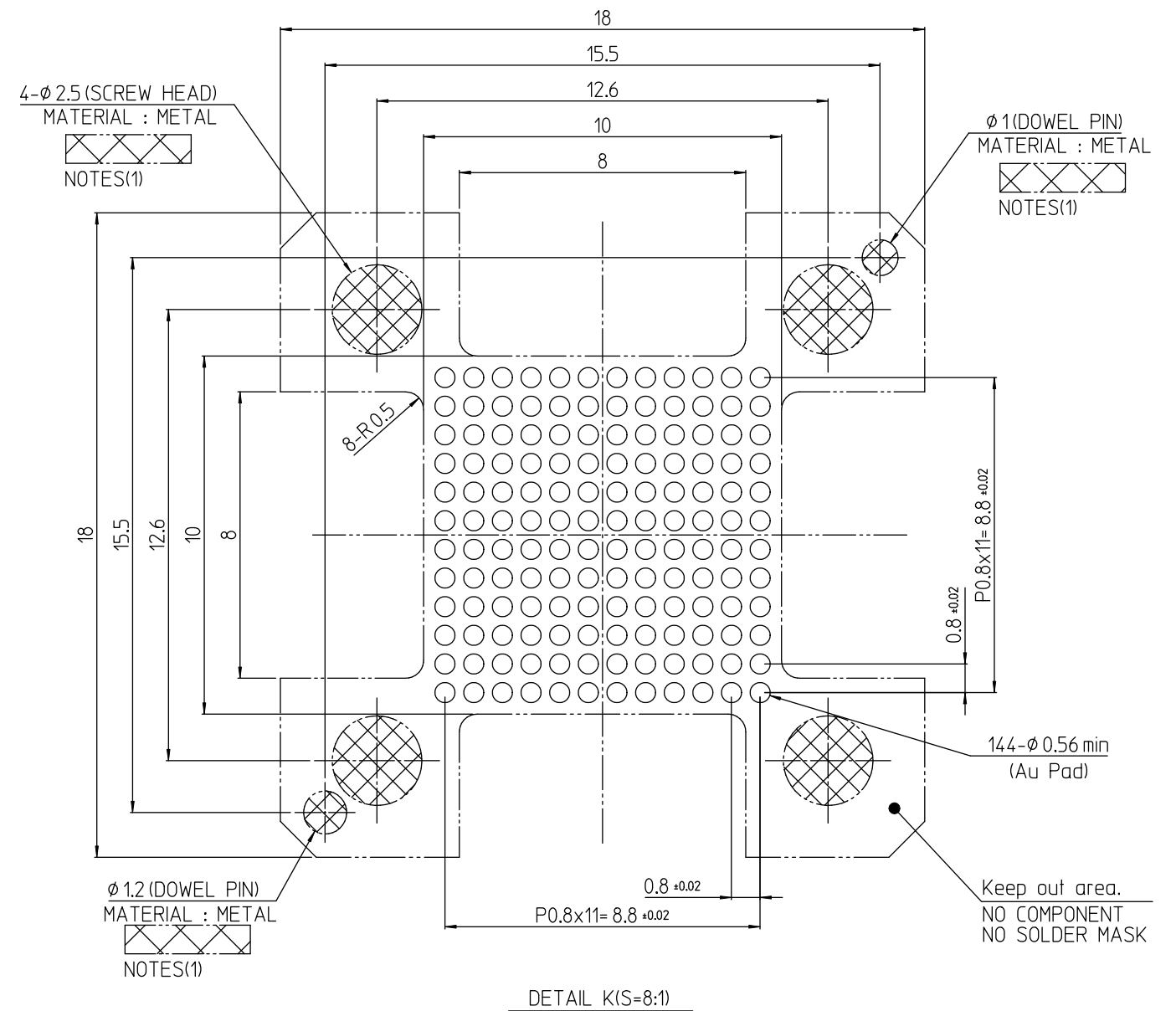
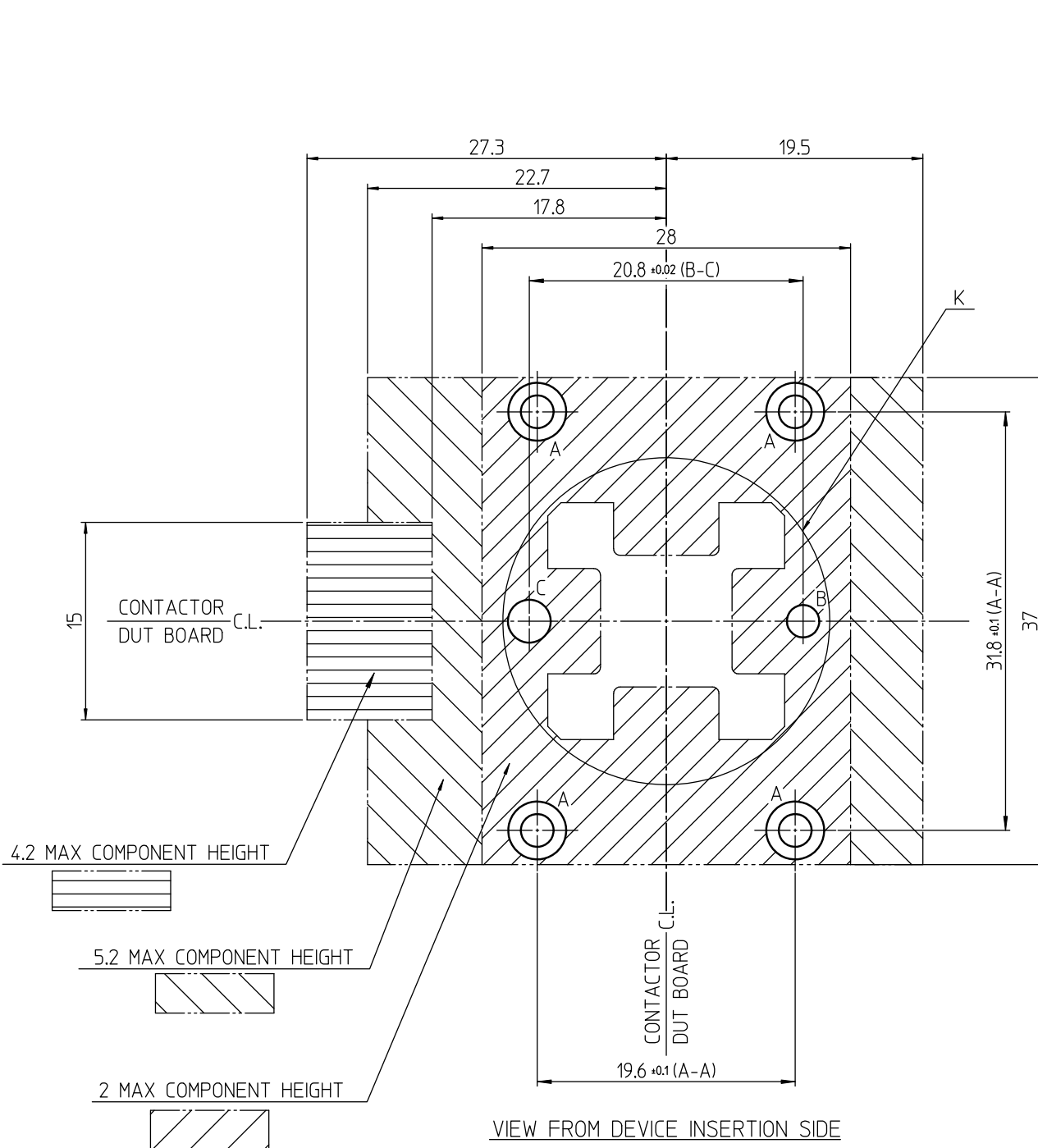
**yokowo co.,ltd.**

CONFIDENTIAL

Unauthorized duplication, distribution or disclosure of the material contained in this document is prohibited.

番号 No	図番 DWG. No	品名 DESCRIPTION	数量 Q'TY	材質 MATERIAL	処理 FINISH	備考 REMARKS
-------	------------	----------------	---------	-------------	-----------	------------

HOLE DESCRIPTION						
LEGEND	SOCKET SIDE	TESTER SIDE	SILKSCREEN (TESTER SIDE ONLY)	SCREW SIZE	REMARKS	Q'TY
A	φ2.5 THRU, φ4.4 PAD	CSK φ4.6 x 82°		No.2-56 UNC	ATTACHMENT, SOCKET TO DUTBOARD	4
B	φ2.46±0.02 x 3.3 DP				ALIGNMENT, SOCKET TO DUTBOARD	1
C	φ3.26±0.02 x 3.3 DP				ALIGNMENT, SOCKET TO DUTBOARD	1



NOTES  
 (1) There are metal parts at area. They may affect board signal integrity.

△*		设计No	DESIGNED 2015-02-04	CHECKED	指定公差 質量 MASS 材質 MATERIAL	表面処理 FINISH	品名 DESCRIPTION
		D R	Fauzi		LIMITS	-	FOOTPRINT
△*		设计No	DRAWING 2015-02-04	APPROVED			
		D R	Fauzi				
△*O	2015-02-04	New Release		设计No	尺度 SCALE 3:1	機種 形名 MODEL No	图番 New DwgNo/ Old DwgNo
		D R	Fauzi		SB8072-60FT	144AAV RMD Hi-Giga SOCKET	TZ-007369-00
MARK	DATE	REVISION	RECORD	yokowo co.,ltd.		単位 UNIT mm	
					A2	3角法 3RD ANGLE PROJECTION	