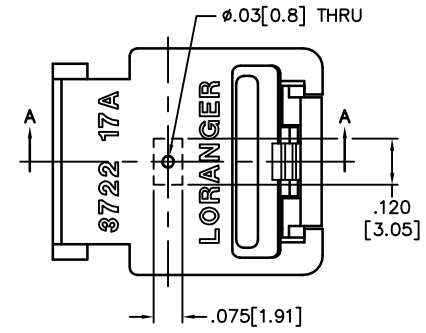
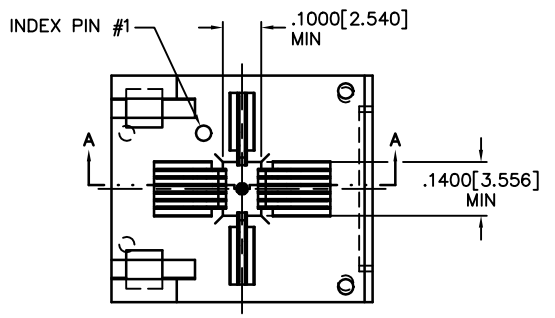


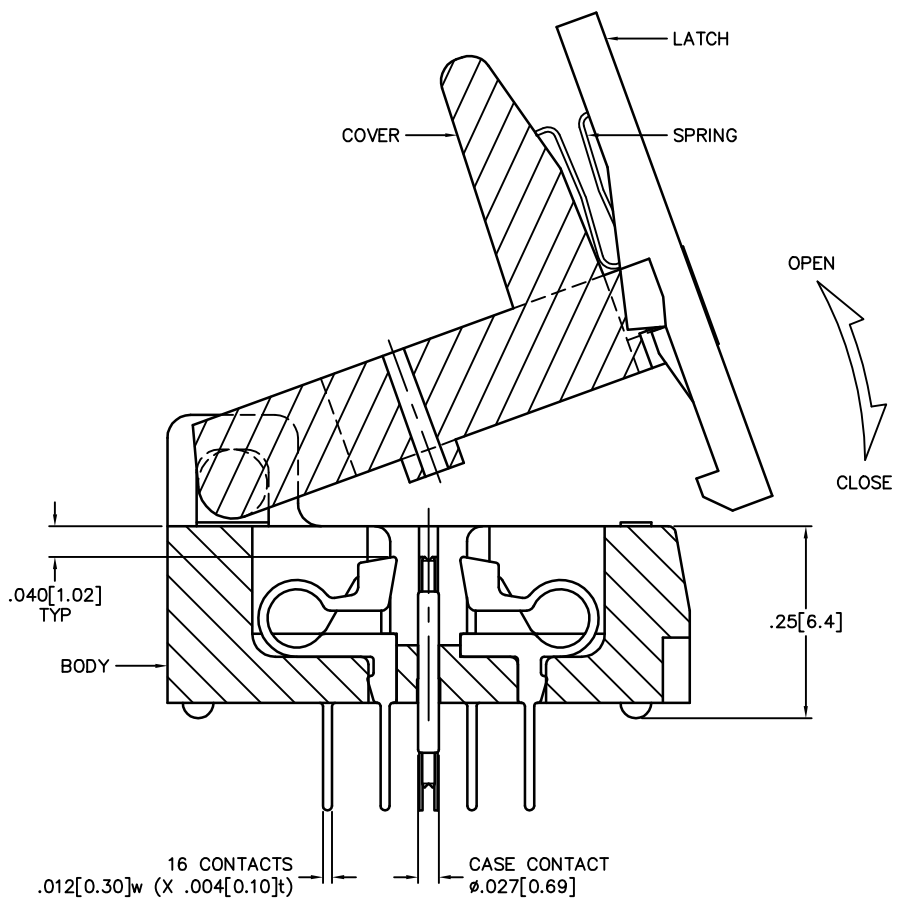
REVISION		
symbol	description	initial/date



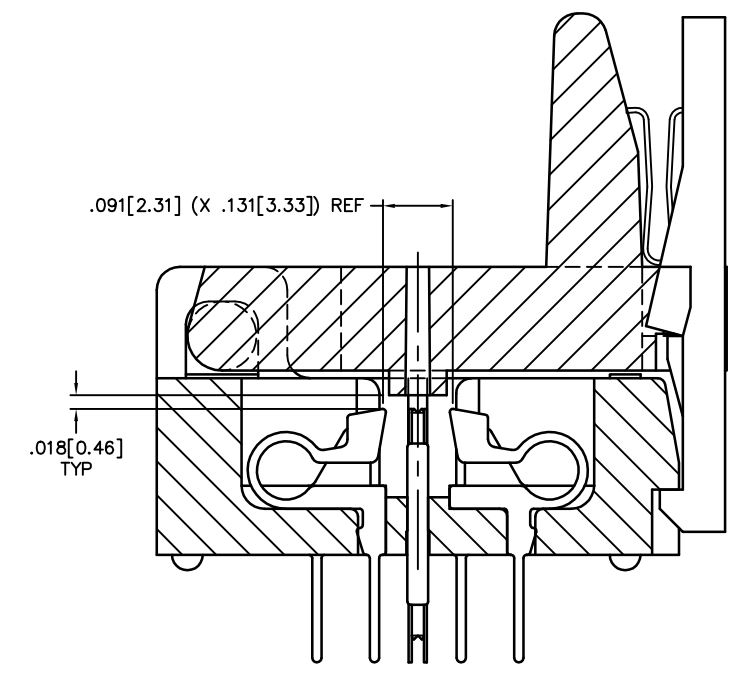
TOP VIEW COVER



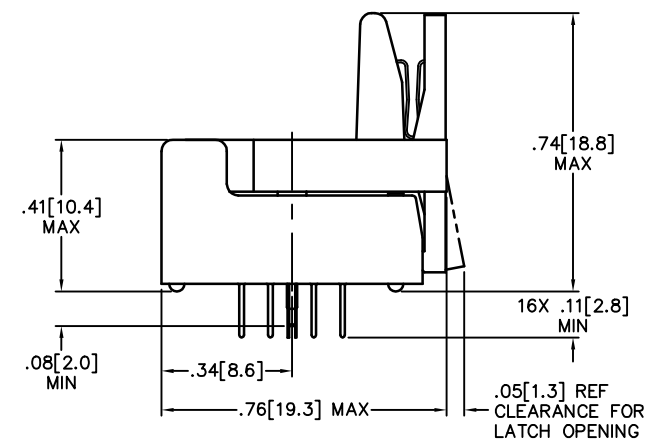
TOP VIEW COVER REMOVED



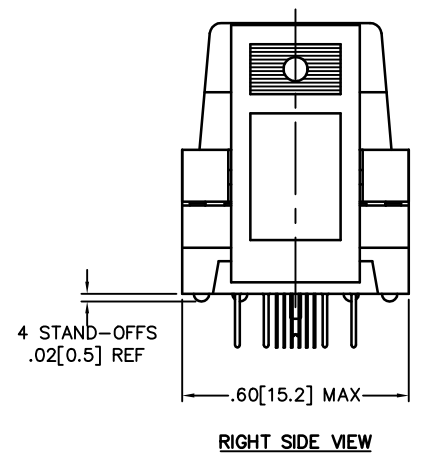
SECTION "A"- "A"
(SOCKET OPENING)
(SCALE: 4/1)



SECTION "A"- "A"
(SOCKET CLOSED)
(SCALE: 4/1)




FRONT VIEW



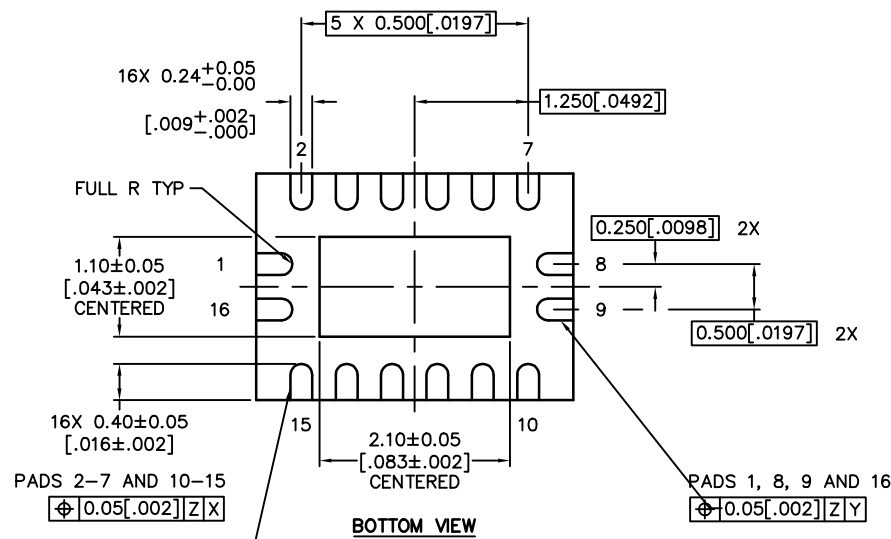
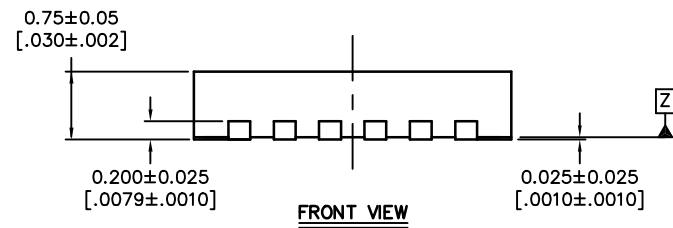
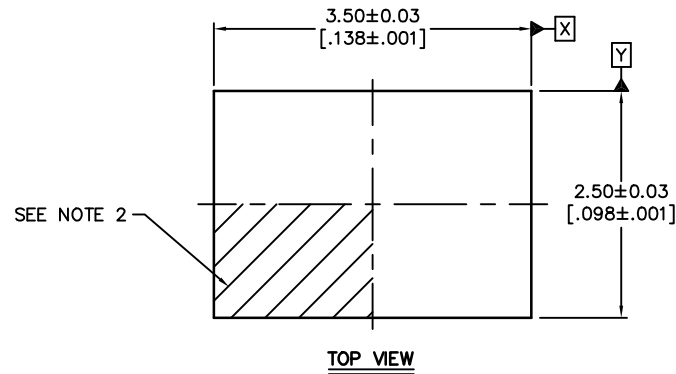
RIGHT SIDE VIEW

• CONTROLLING DIMENSIONS : INCHES

 Tolerance in Inches .xx ± .01 fract. .xxx ± .005 ang. ± 1/2° .xxxx ± .0010		NOTICE Drawing is subject to change without notice and is L.I.C. proprietary in design and content. L.I.C. retains all patent rights and exclusive rights of use, manufacture and/or sale. Possession of this drawing does not convey permission to reproduce or manufacture article. Permission shall only be granted in writing and must be signed by an officer of L.I.C.	
		Equipment where used 17 LEAD, 3.50 X 2.50mm, 0.5mm PITCH QFN	PROD. NO.03722 171 X218A
SCALE 2/1	Orig. Release DRAFTED by/date JFN/04-04-03	Part Description SOCKET	DWG. NO.03722 171 X218A
SCALE 2/1	Orig. Release DRAFTED by/date JFN/04-04-03	CHECKED by/date CHG/JDE/4-8-03	ISSUE DATE PAGE NO. 1 OF 2

DIMENSIONALLY COMPATIBLE PACKAGE FOR SOCKET SHOWN ON PAGE 1

• CONTROLLING DIMENSIONS : mm
 • (SCALE : 12/1)



NOTES:

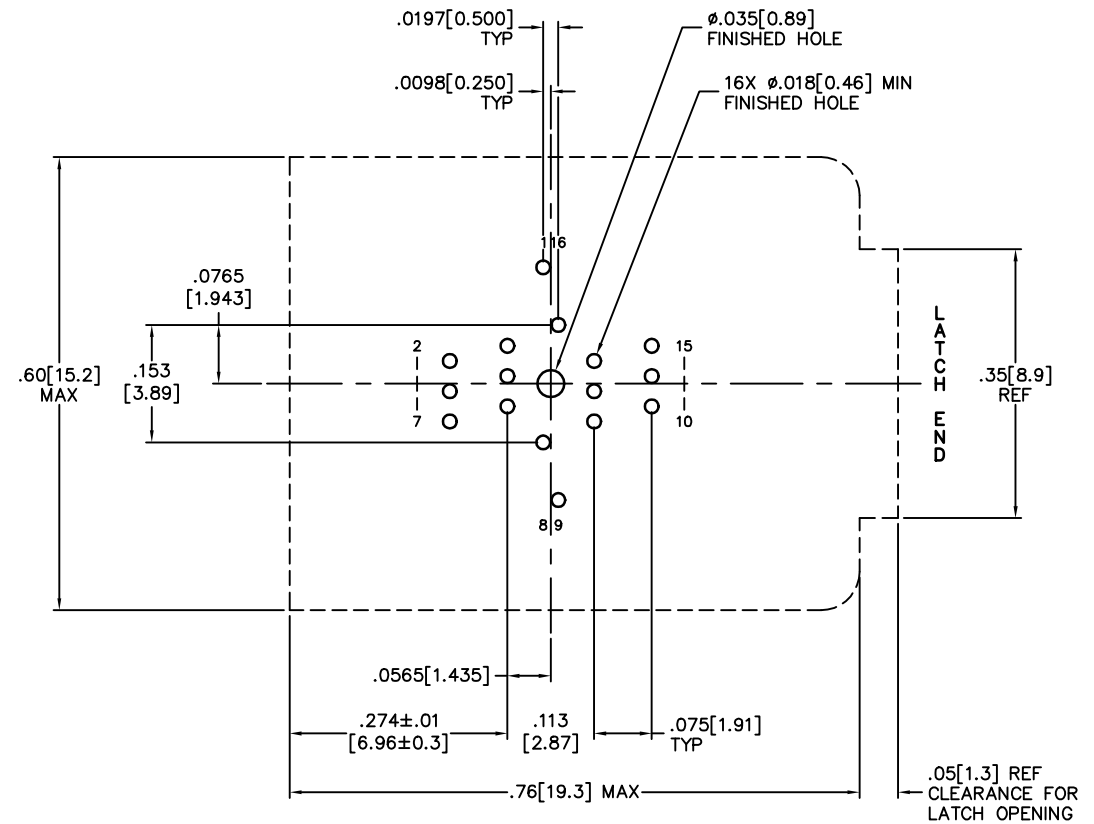
1. INTERPRET DRAWING IN ACCORDANCE WITH ASME Y14.5M-1994
2. A PIN 1 CORNER IDENTIFYING FEATURE IS RECOMMENDED TO BE APPLIED IN THE GENERAL AREA SHOWN. SIZE, STYLE AND LOCATION OPTIONAL, BUT THE FEATURE MUST NOT PROJECT ABOVE THE PACKAGE TOP.
3. THIS DEVICE PACKAGE IS BASED, IN PART, ON INFORMATION CONTAINED IN CUSTOMER-SUPPLIED DRAWING(S), HOWEVER IT ADDITIONALLY CONTAINS FEATURE CONTROLS AND TOLERANCING REQUIRED FOR COMPATIBILITY WITH THE L.I.C. SOCKET DRAWN ON PAGE 1. THE CUSTOMER IS ADVISED TO REVIEW THIS DEVICE PACKAGE DRAWING THOROUGHLY BEFORE APPROVING TO ASSURE THAT MANUFACTURING REALITIES AGREE WITH THE DESIGN NEEDS.
4. DEVICE REFERENCE FOR THIS PACKAGE IS FAIRCHILD DWG NO. MKT-MLP16E REV A (JEDEC MO-241).

REVISION

symbol	description	initial/date

RECOMMENDED P.T.H. PATTERN

• CONTROLLING DIMENSIONS : INCHES
 • (SCALE : 4/1)



VIEW FROM THE TOP



Tolerance In Inches
 .xx±.01 fract.
 .xxx±.003 ang.±1/2°
 .xxx±.0030

NOTICE
 Drawing is subject to change without notice and is L.I.C. proprietary in design and content. L.I.C. retains all patent rights and exclusive rights of use, manufacture and/or sale. Possession of this drawing does not convey permission to reproduce or manufacture article. Permission shall only be granted in writing and must be signed by an officer of L.I.C.

Equipment where used	17 LEAD, 3.50 X 2.50mm, 0.5mm PITCH QFN	PROD. NO.03722 171 X218A
Part Description	SOCKET	DWG. NO.03722 171 X218A
SCALE NOTED	Orig. Release	DRAFTED by/date JFN/04-04-03
		CHECKED by/date CHG/JDE/4-8-03
		ISSUE DATE
		PAGE NO. 2 OF 2