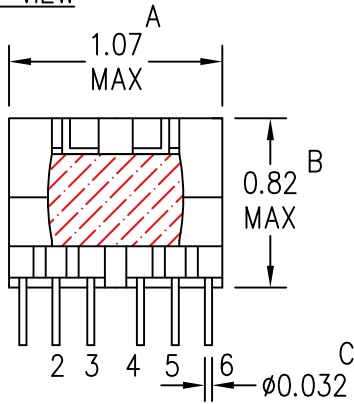




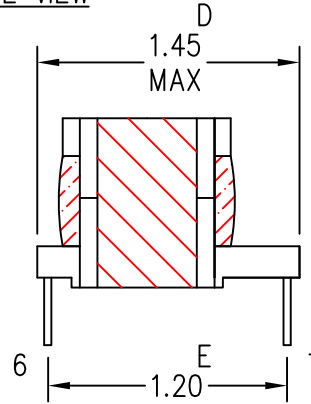
**RENCO ELECTRONICS, INC.**

595 INTERNATIONAL PL. • ROCKLEDGE, FLORIDA 32955  
 ph. (321)637-1000 fax (321)637-1600  
 web www.rencousa.com < > email engineering@rencousa.com

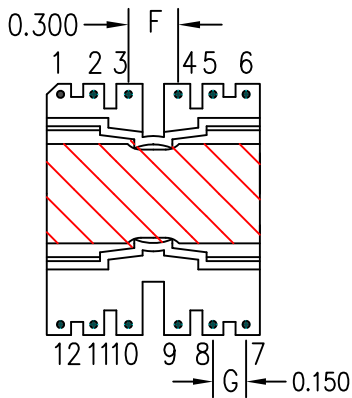
FRONT VIEW



SIDE VIEW



BOTTOM VIEW



NOTE: SHORT PINS 12 TO 11 AND 10 TO 9 ON PCB

ELECTRICAL TEST PARAMETERS:

INDUCTANCE @ 200kHz 0.1VAC  
 L(3-1)= 115.0µH ±5%

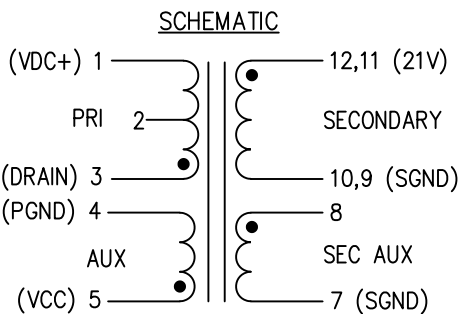
LEAKAGE INDUCTANCE @ 200kHz/0.1VAC  
SHORT PINS: 12,11,10,9  
 LL(3-1)=2.75µH MAX (PRELIM)

DC RESISTANCE OHMS (Ω) @ 25°C  
 DCR: (3-1)=0.037Ω ±20%  
 (5-4)=0.020Ω ±20%  
 (8-7)=0.045Ω ±20%  
 (11-9)=0.018Ω ±20%  
 (12-10)=0.018Ω ±20%

HIPOT  
 APPLY: 3000VAC @ 60Hz FOR 2 SECS  
 BTWN 3,5 TO 12,11,8

APPLY: 1500VAC @ 60Hz FOR 2 SECS  
 BTWN 1 TO 5

TURNS RATIO/POLARITY  
 APPLY: 1.00V @ 10kHz TO PINS (3-1)  
 Vout: (5-4)=0.333V ±3%  
 (8-7)=0.200V ±3%  
 (11-9)=0.333V ±3%  
 (12-10)=0.333V ±3%



	SUPPLIER	PART #	DESCRIPTION	UL FILE #
1	FERROXCUBE	3C98	CORE	N/A
2	SUMITOMO	PM-9630	BOBBIN	E41429
3	3M	#1350F-1 TAPE	WINDING TAPE	E17385
4	FURUKAWA	TEX-E	TRIPLE INSULATED WIRE	E206440
5	ZEUS/GREAT HOLDING	TFE-TW-300/TFT	TEFLON SLEEVE	E64007/E156256
6	VARIOUS	MW75-C	ENAMELLED WIRE	VARIOUS
7	DOLPHS	BC-346A	VARNISH	E317427

THIS COMPONENT COMPLIES WITH A UL CLASS B (130°C) INSULATION SYSTEM ADOPTED BY RENCO ELECTRONICS UNDER UL FILE E73291 AND IS DESIGNATED BY R130, TABLE I OR II.

FILE NAME  
 RLTI-1319

<b>- TOLERANCES -</b>		<b>CUSTOMER NAME</b>		<b>THIS COURTESY PRINT IS PROPRIETARY AND CONFIDENTIAL          NO PART OF THIS COURTESY PRINT MAY BE DISCLOSED TO          A THIRD PARTY WITHOUT PRIOR WRITTEN CONSENT FROM          RENCO ELECTRONICS INC.</b>	
UNLESS OTHERWISE SPECIFIED DIMENSIONS ARE IN INCHES		<b>TEXAS INSTRUMENTS</b>			
.XX=±	0.03	<b>DESCRIPTION</b>		<b>THIS DOCUMENT IS FOR REFERENCE ONLY</b>	
.XXX=±	0.015	<b>FLYBACK FOR PMP21983</b>			
ANGULAR=±	3°	<b>ENGINEER CONTACT</b>	<b>DWN BY</b>		
FRACTIONAL=±	1/16"	<b>I.RENSING</b>	<b>IAR</b>	<b>RoHS COMPLIANT: YES <input checked="" type="checkbox"/> NO <input type="checkbox"/></b>	
		<b>DATE</b>	<b>SCALE</b>		
		<b>03/22/19</b>	<b>NONE</b>	<b>PRE</b>	<b>1 of 1</b>